

CC3000C-P Series (RoHS认证产品)

三相三线式 500VAC

200-400A系列产品, 输出侧专用型



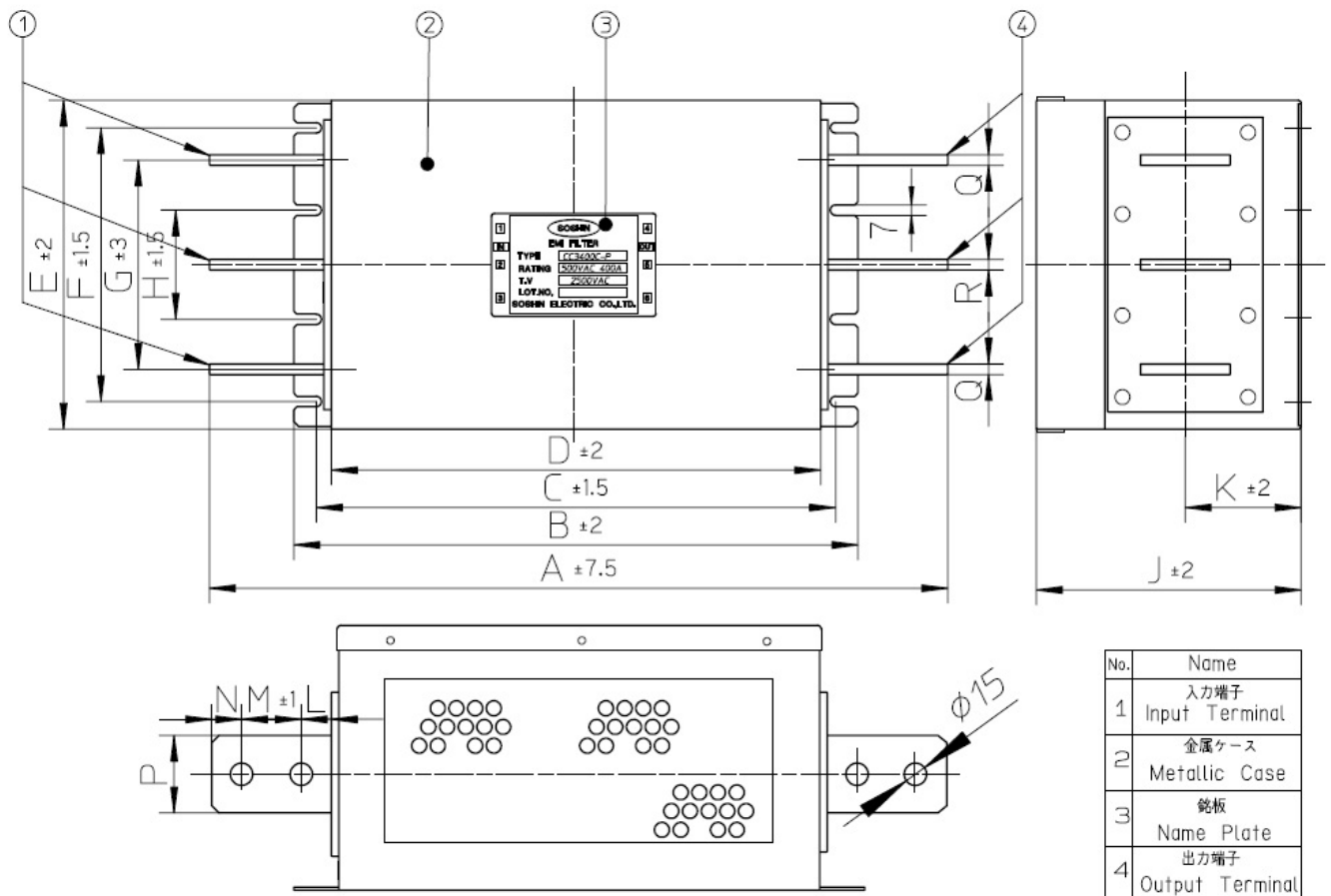
用途

通用型, 用于各种大型变频器电源的二次电源侧

规格

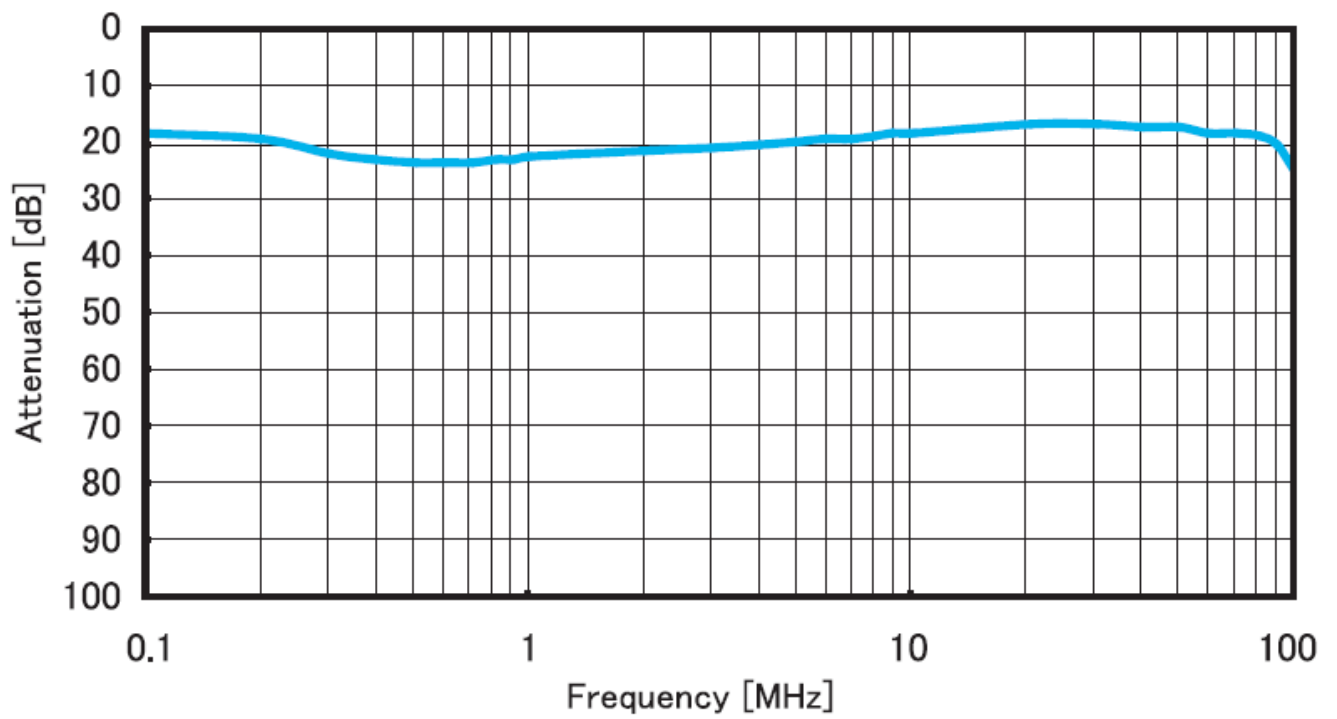
| Part No. | Rated Current | Weight | Dimensions [mm] | | | | | | | | | | | | | | | |
|---------------|---------------|--------|-----------------|-----|-----|-----|-----|-----|-----|----|-----|----|----|----|----|----|-----|-----|
| | | | A | B | C | D | E | F | G | H | J | K | L | M | N | P | Q | R |
| CC3200C-P | 200A | 12Kg | 400 | 290 | 260 | 230 | 220 | 180 | 146 | 80 | 170 | 85 | 20 | 40 | 20 | 40 | 4 | 3.5 |
| CC3250C-P | 250A | 13Kg | | | | | | | | | | | | | | 45 | 4.5 | 4 |
| CC3300C-P | 300A | 16Kg | 510 | 360 | 330 | 300 | 240 | 200 | 160 | 80 | 170 | 85 | 30 | 40 | 25 | 60 | 5 | 4.5 |
| CC3400C-P | 400A | 17Kg | | | | | | | | | | | | | | 7 | 6 | |
| Rated Voltage | 500VAC | | | | | | | | | | | | | | | | | |

fig.1 (200-400A)



| No. | Name |
|-----|-------------------------|
| 1 | 入力端子 Input Terminal |
| 2 | 金属ケース Metallic Case |
| 3 | 銘板 Name Plate |
| 4 | 出力端子 Output Terminal |

代表特性



电路图

