

Product Information

Control No. : ARP-4911600-M1

Issued on December 13, 2019

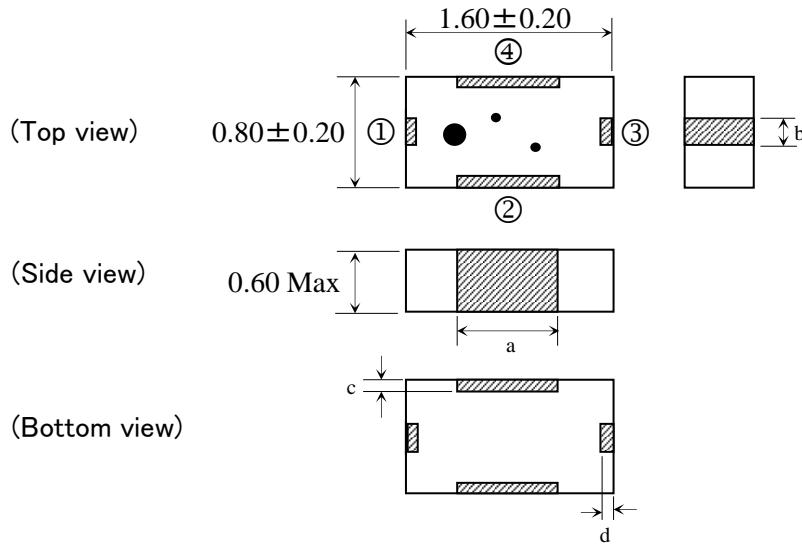
Application : Band Pass Filter for 4900-5950MHz

1. Type No.
HMD9116T-T

RoHS Compliant Part

2. Dimension (Unit : mm)

AEC-Q200 Compliant Part



Terminal	
①	Input
②	GND
③	Output
④	GND

Terminal Dimensions	
a	0.80±0.10
b	0.30±0.10
c	0.15 Typ.
d	0.15 Typ.

3. Electrical characteristics

Parameter		Specification	Typical	Unit	Remark
fc (Center frequency)		5425	-	MHz	
Pass band frequency		4900-5950	-	MHz	
Nominal Impedance		50	-	ohm	
Insertion Loss at 25degC.		1.0 Max.	0.82	dB	
Insertion Loss at -40 to +125 deg C.		1.4 Max.	-	dB	
Return loss in BW		10 Min.	15.5	dB	
Attenuation (MHz)	at 2400 - 2500	40 Min.	45.0	dB	
	at 700 - 3900	25 Min.	29.6	dB	
	at 10300 - 11900	20 Min.	24.2	dB	

4. Note

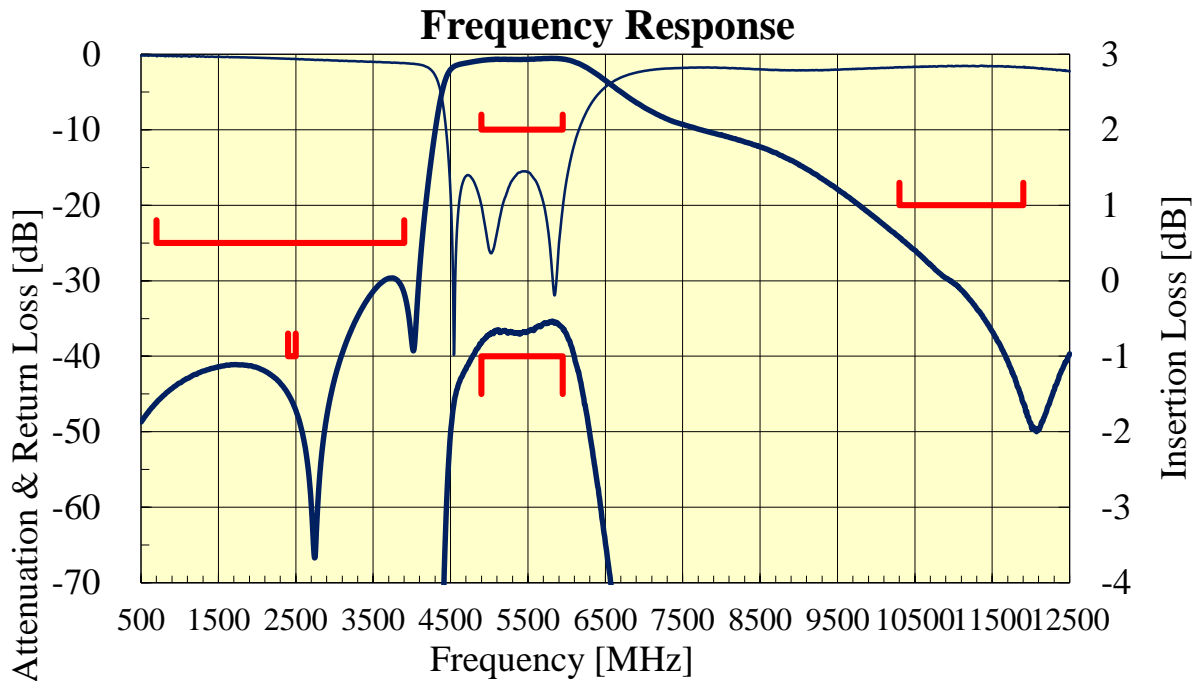
- 4.1 Operating Temperature Range : -40 to +125 deg.C
 4.2 Storage Temperature Range before soldering in taping package : -20 to +35 deg.C
 4.3 Standard Reel Quantity : 3,000 pcs (per reel, per bag)

Approved by	Confirmed by	Raised by
Y.Mizutani	Y.Imai	S.Suzuki

SOSHIN ELECTRIC CO., LTD

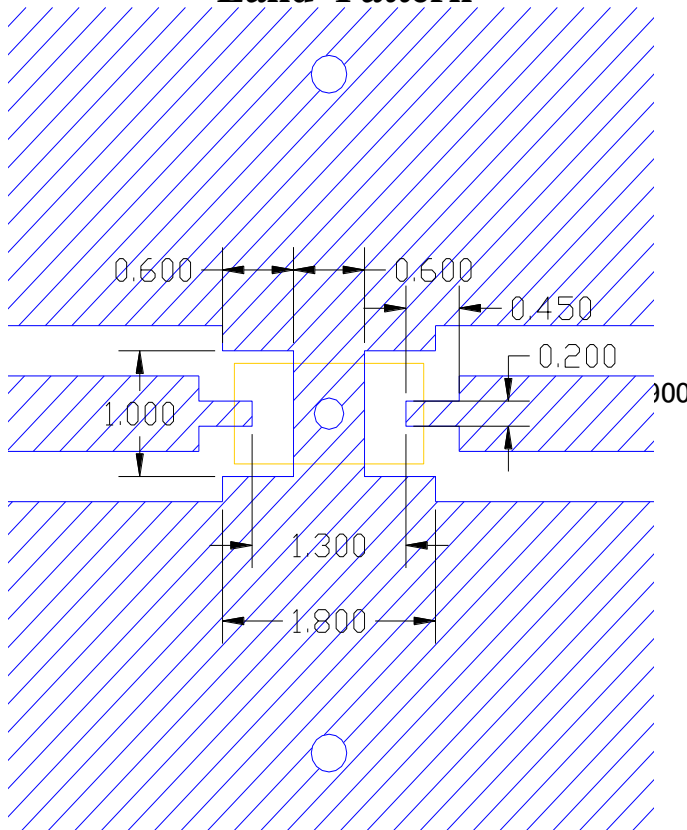
5.Representative characteristics

Measured data

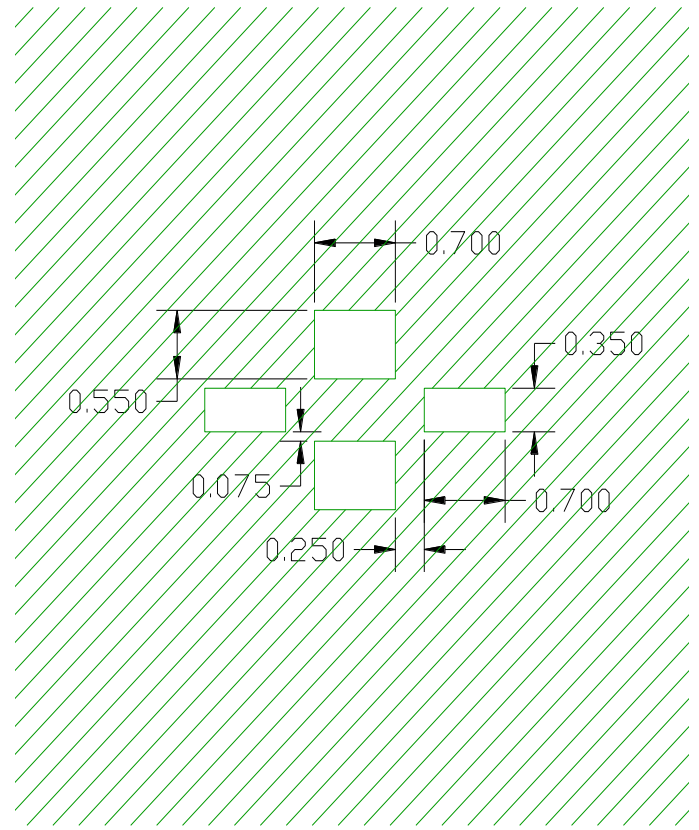


6.Recommendation Land Pattern (Unit:mm)

***Land Pattern**



***Resist Pattern**



- *1 50 ohm Impedance Line
- *2 Ground Plane
- *3 Through Hole