

RC5000Y Series

高透磁率环型磁芯



用途

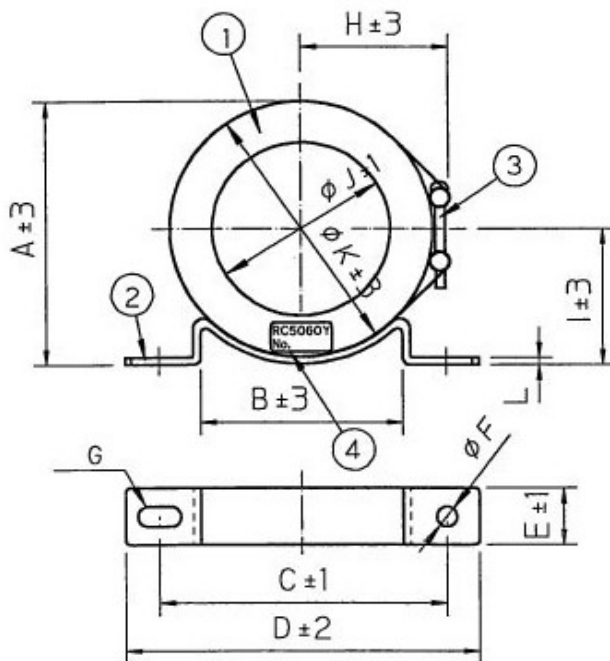
信号线、开关电源以及变频器电源等

规格

Measurement temperature 23+/-2Deg.C													
Type	10KHz(uH)	Dimension(mm)											
		A	B	C	D	E	F	G	H	I	J	K	L
RC5045Y	34-80	54	32	75	90	16	dia.5	R2.5 L10	32	30	31	49	1.6
RC5060Y	39-90	70	45	95	115	19	dia.5	R2.5 L10	40	38	41	64	1.6
RC5075Y	42-100	85	63	130	150	23	dia.7	R3.5 L15	48	46	51	79	3
RC5100Y	30-65	114	85	140	160	25	dia.7	R3.5 L15	62	62	76	104	3
RC5140Y	63-150	150	115	175	200	35	dia.7	R3.5 L24	84	78	96	145	3.2

Note: Measured by YHP manufactured multi-frequency LCR meter 4284A the equivalent meter.
Condition for the measurement f=10KHz, 1T 10mA through.
Operating temperature Range : -25 up to 85 Deg.c

形状图



NO	名称
1	非晶体系磁芯
2	磁芯带
3	螺钉
4	标牌

<标牌规格> (表示例 RC3060Y)

TYPE	RC5060Y	—	产品名
No.	—	—	批号