

HF3000C-UQ Series (RoHS认证产品)

三相三线式 480VAC

高衰减大电流型(中性点接地电源型)

【 320A~600A 】



320A产品 外观



UL1283 (file No.E102708)
EN60939-2 (file No.R50031225)

用途

IGBT变频器、AC伺服、NC控制器等

规格

Part No.	Rated Current	Weight	
HF3320C-UQ	320A	7.7kg	fig1
HF3400C-UQ	400A	7.7kg	
HF3600C-UQ	600A	7.7kg	
HF3900C-UQ	900A	15kg	fig2
HF31200C-UQ	1200A	25kg	fig3
HF31600C-UQ	1600A	33kg	fig4
Rated Voltage	480VAC max		
Leakage Current	375mA max/480VAC 60Hz By UL1283		
Ambient temp.	-10 up to 50 Deg.C		

fig.1 (320, 400, 600A)

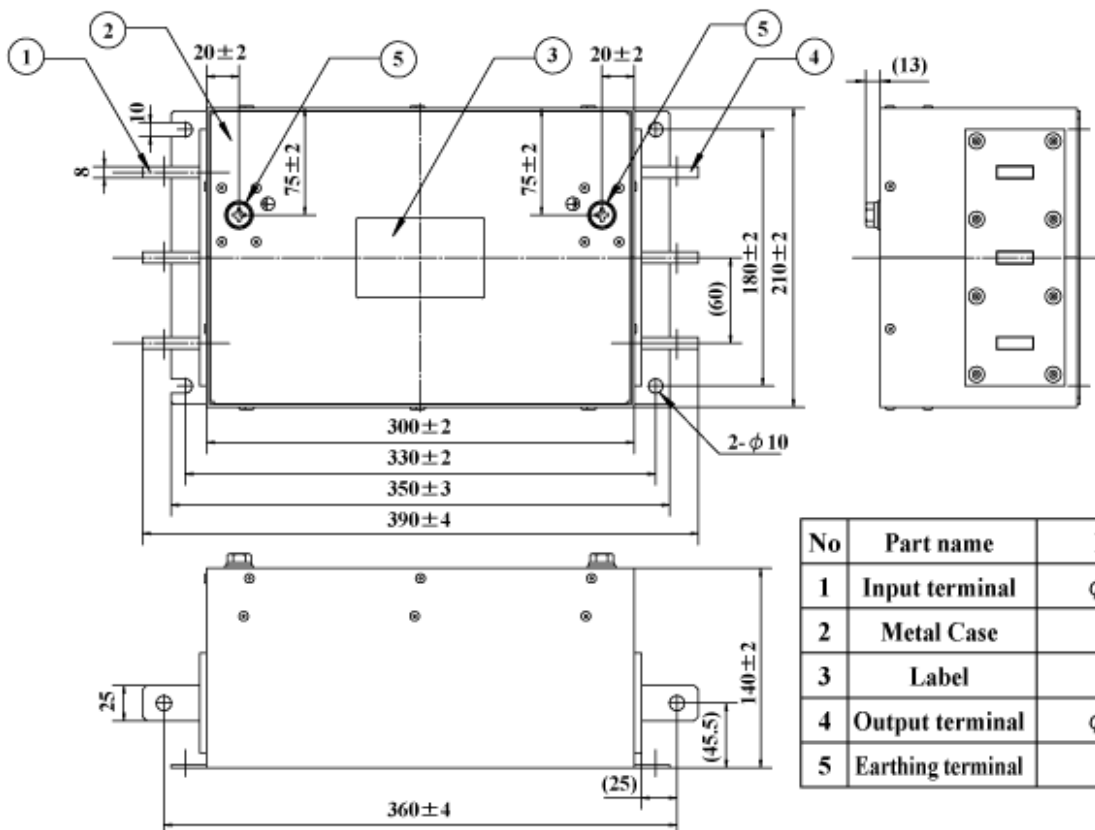
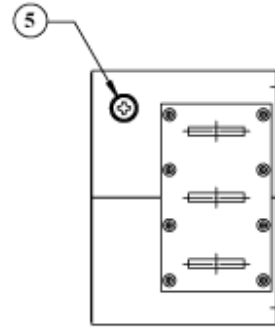
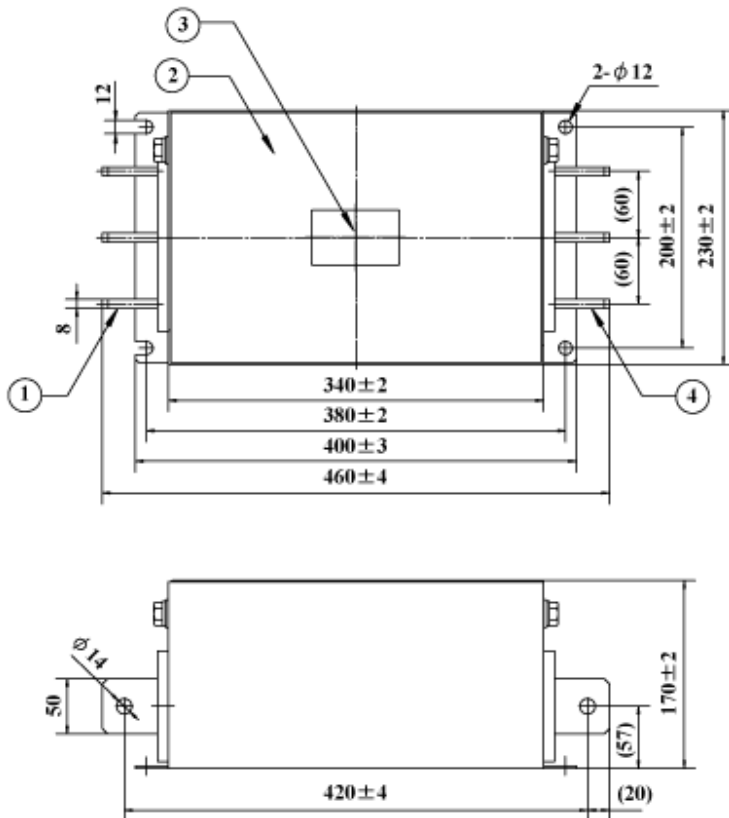
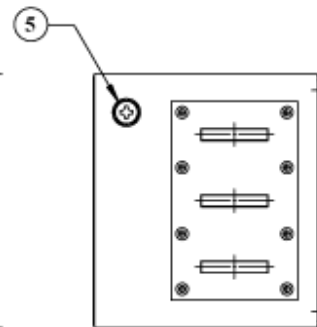
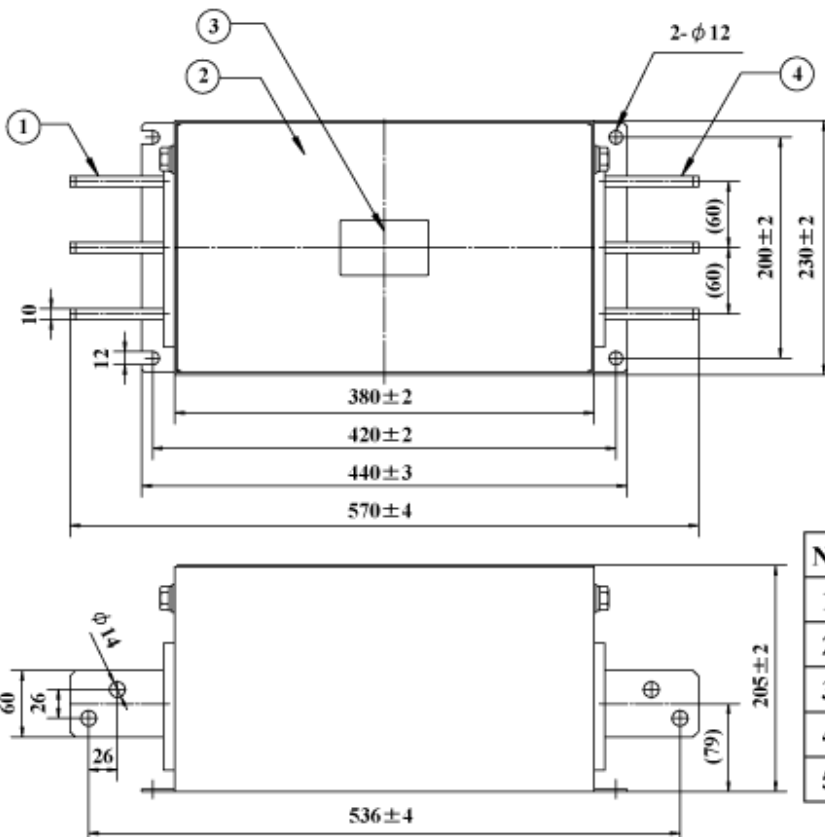


fig.2 (900A)



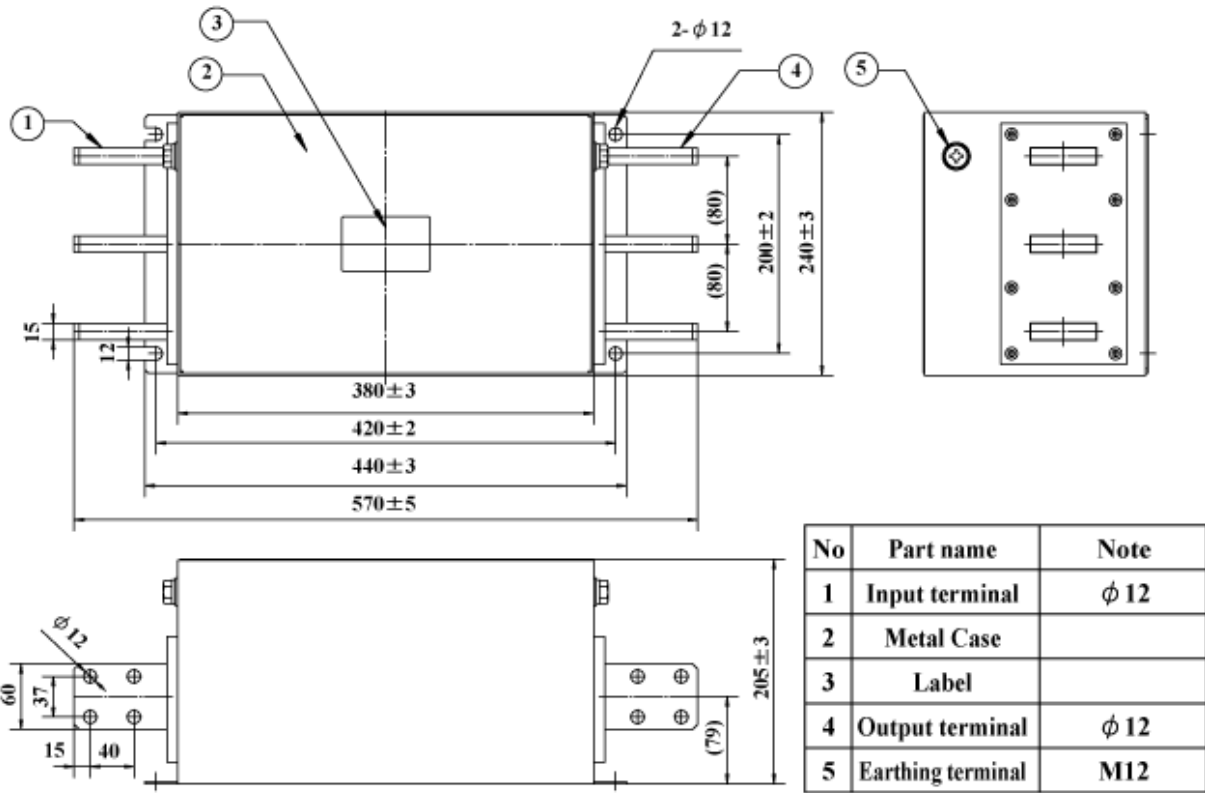
No	Part name	Note
1	Input terminal	$\phi 14$
2	Metal Case	
3	Label	
4	Output terminal	$\phi 14$
5	Earthing terminal	M12

fig. 3 (1200A)



No	Part name	Note
1	Input terminal	$\phi 14$
2	Metal Case	
3	Label	
4	Output terminal	$\phi 14$
5	Earthing terminal	M12

fig. 4 (1600A)



衰减特性(320A)

