

SF2000C-JQ Series (RoHS Compliant)

Single-phase 2-line 500VAC Wide Range High Attenuation Type Filter.



Attenuation characteristics
 10 kHz to 14 kHz: 60 dB or more.
 14 kHz to 18 GHz: 100 dB or more.

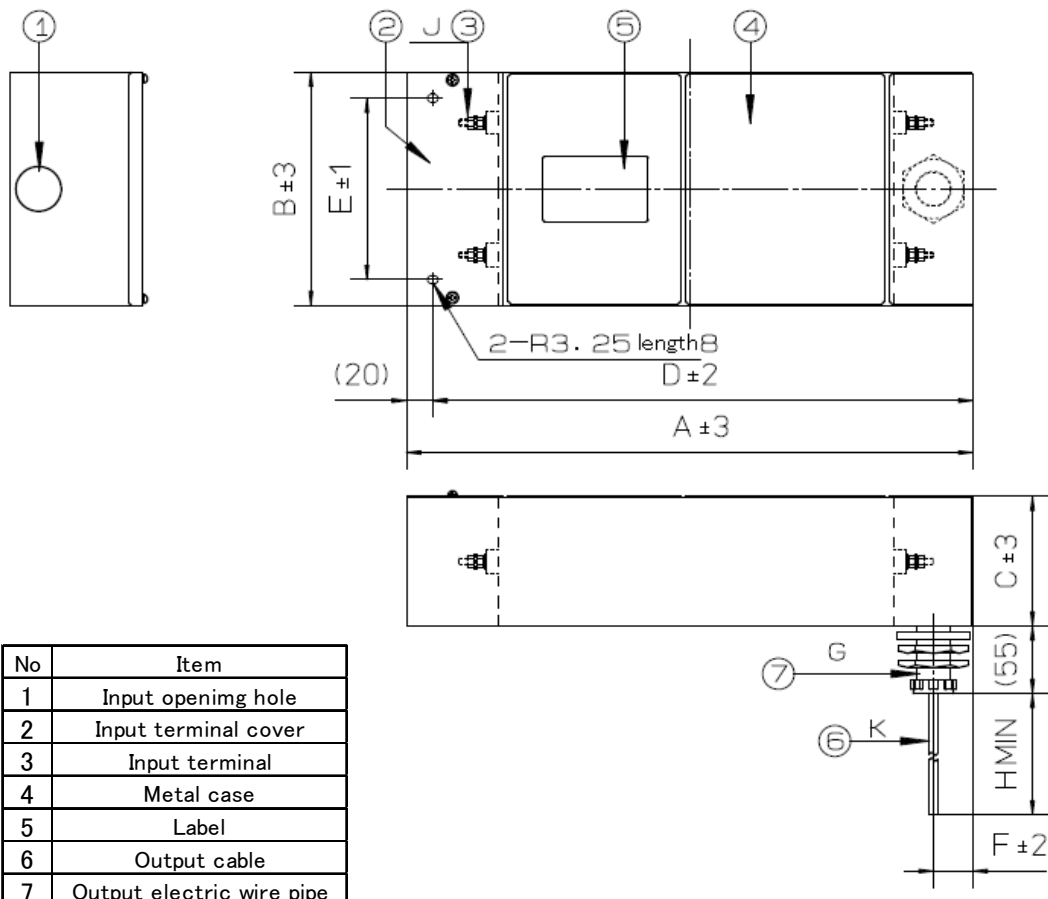
Applications

For EMC Anechoic, Shielded Chamber

Specifications

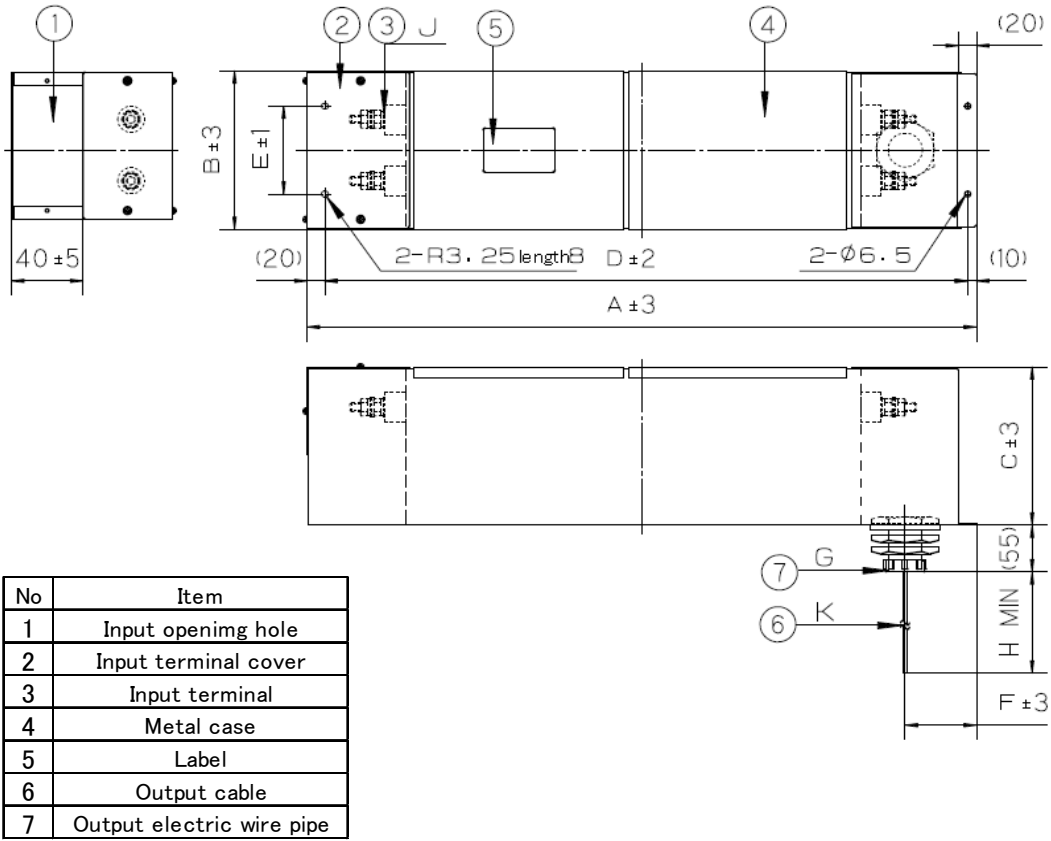
Part No.	Rated Current	Weight	Dimensions [mm]										
			A	B	C	D	E	F	G	H	J	K	
SF2030C-JQ	30A	9kg	400	150	100	380	110	30	CTC19	500	M6	AWG10	fig1
SF2060C-JQ	60A	10kg	500		130	480		40	CTC25			AWG6	
SF2100C-JQ	100A	21kg	750	180	180	720	100	80	CTC39		M10	MLFC38mmφ	fig2
Rated Voltage	500VAC max												
Leakage Current	3.0A max/500VAC 60Hz (Please use Insulation Transformer together)												
Ambient temp.	-20 up to 50 Deg. C												

fig. 1(30, 60A)

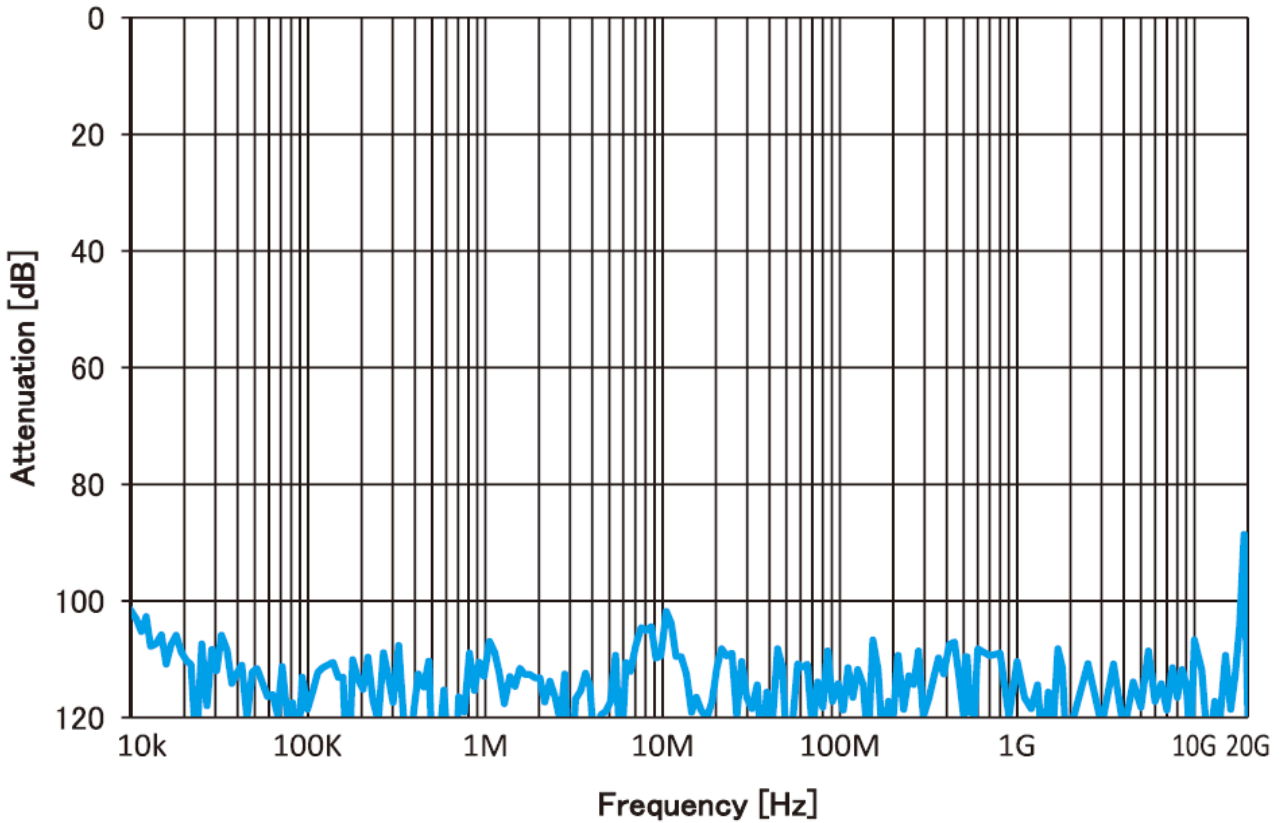


No	Item
1	Input opening hole
2	Input terminal cover
3	Input terminal
4	Metal case
5	Label
6	Output cable
7	Output electric wire pipe

fig. 2 (100A)



Characteristics (Typical)



Circuit Diagram

