

Product Information

Control No. : ARP-4910100-D 1

Issued on April 13, 2020

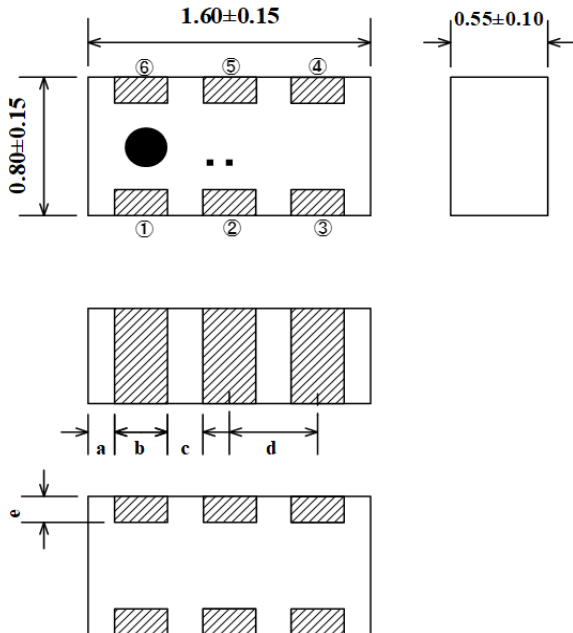
Application : 915MHz LPF

1. Type No.

HMD9101D-T

RoHS Compliant Part

2. Dimension (Unit : mm)



Terminal	
①	GND
②	Input
③	GND
④	GND
⑤	Output
⑥	GND

Terminal Dimensions	
a	0.15 +/- 0.15
b	0.30 +/- 0.10
c	0.20 +/- 0.10
d	0.50 +/- 0.10
e	0.15 +/- 0.10

3. Electrical characteristics

Parameter	Specification	Typical	Unit	Remark
fc (Center frequency)	807	-	MHz	
Pass band frequency	698-915	-	MHz	
Nominal impedance	50	-	ohm	
Insertion Loss in 699~915MHz at 25 deg C.	0.55 Max.	0.42	dB	
Insertion Loss in 699~915MHz at -40 to +105 deg C.	0.75 Max.	-	dB	
Return Loss in 699~915MHz	16 Min.	18.6	dB	
Ripple	0.4 Max.	0.10	dB	
Attenuation	2500 MHz - 3500 MHz	50 Min.	62	dB
	3500 MHz - 5150 MHz	20 Min.	44	dB
	5150 MHz - 5167 MHz	28 Min.	44	dB
	5167 MHz - 12750 MHz	20 Min.	23	dB

4. Note

4.1 Operating Temperature Range

4.2 Storage Temperature Range

4.3 Standard Reel Quantity

: -40 to +105 deg C.

: -40 to +85 deg C. (goods alone)

: -20 to +35 deg C. (In a Taping Package)

: 3,000 pcs (per reel, per bag)

Approved by	Confirmed by	Raised by
Y.Mizutani	Y.imai	G. Nishio

SOSHIN ELECTRIC CO., LTD

Tentative Specification

(Under development)

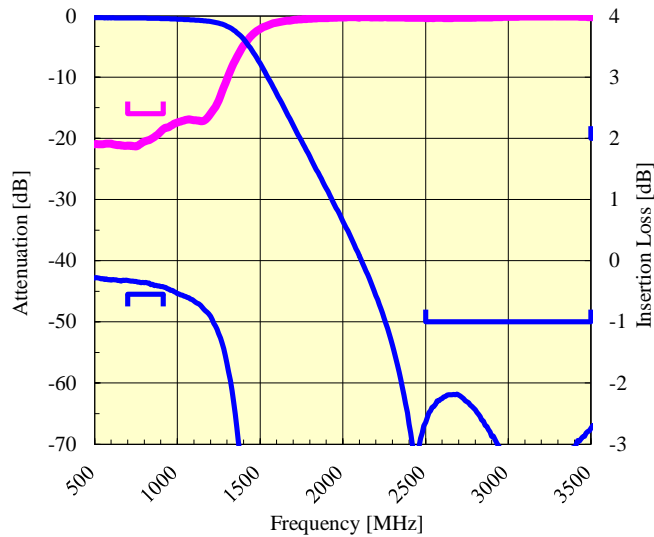
Control No. : ARP-4910100-D 2

Issued on April 13, 2020

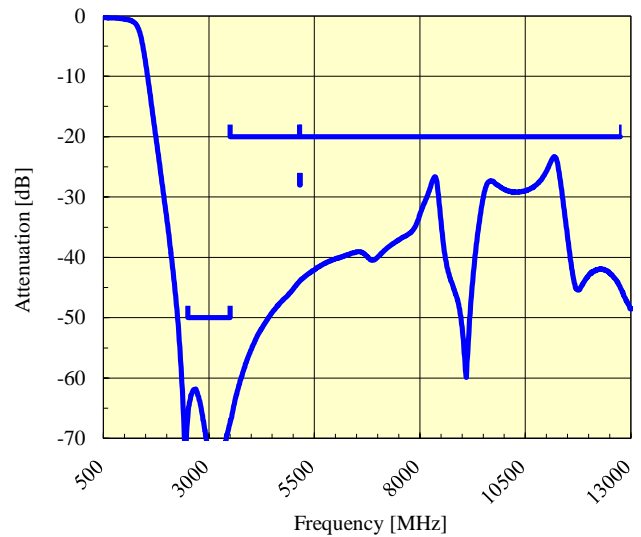
5.Representative characteristics

Measured

Pass Band Frequency Response

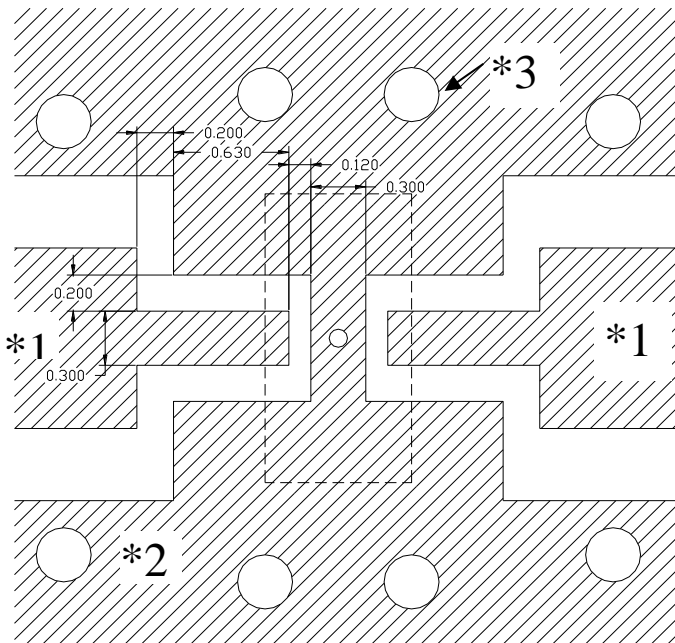


Broad Band Frequency Response

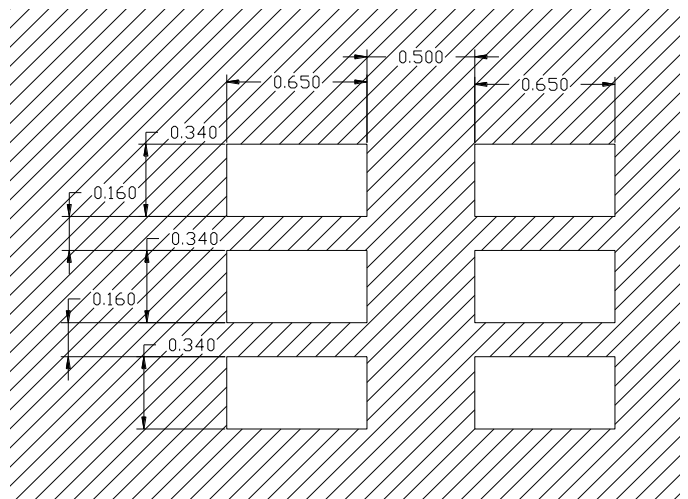


6.Recommended land pattern (Unit:mm)

*Land Pattern



*Resist Pattern



*1 50 ohm Impedance Line

*2 Ground Plane

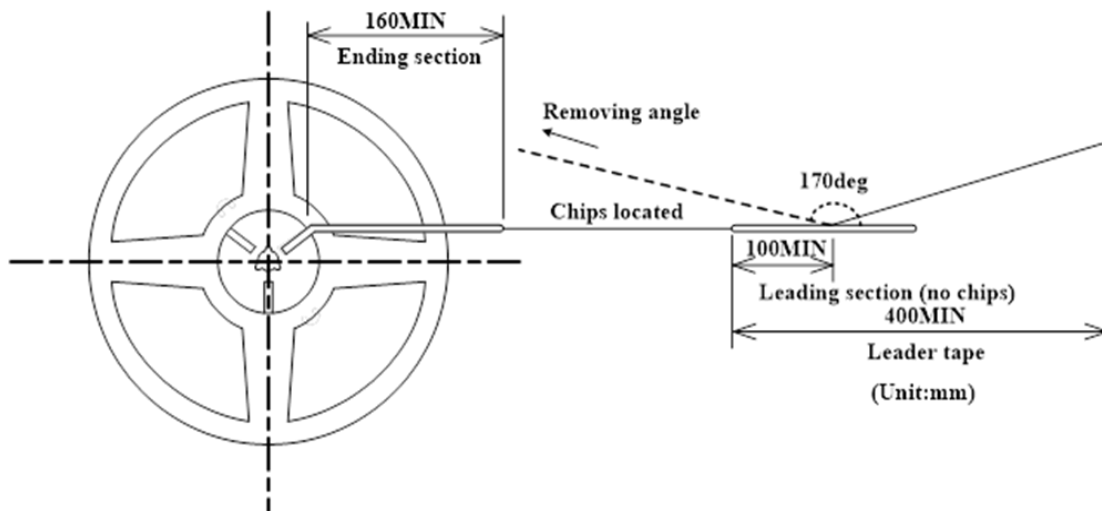
*3 Thorough Hole

7. Packing method

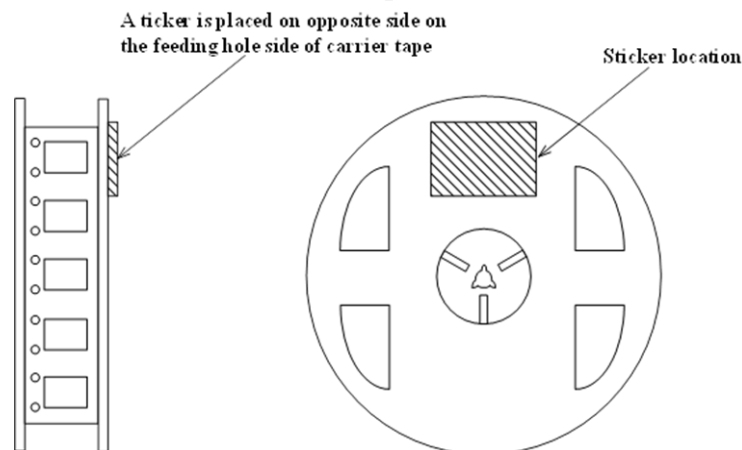
7.1 Taping conditions

Taping conditions are shown below. Refer to IEC60286-3

- (1) Tape must be wound clockwise with the feeding hole coming to the right hand side.
- (2) Top cover tape must not cover feeding holes of carrier tape and/or show out of carrier tape.
- (3) A blank section carrying no chips of a length of 160mm min. on ending section and 100mm min. on leading section must be provided.
- (4) A leading section of 400mm min. must be provided on top cover tape.



- (5) To end tape winding, the leading section of top cover tape must be stuck on a side of a reel with adhesive tape.
- (6) Removing force of top cover tape in the unwinding with an angle of 170 degrees between the removed side of a reel and carrier tape must be 0.1 to 1.0N.
- (7) When the embossed tape is turned upside down with the sealing tape peeled off, the filter body inside of the tape must fall off and the mounter must not cause a take-up mistake.
- (8) A sticker carrying Soshin product №, quantity, lot №, inspection date is to be placed on the specified side of reels. And Lot No. means our production control number. The shipment records are available if requested.

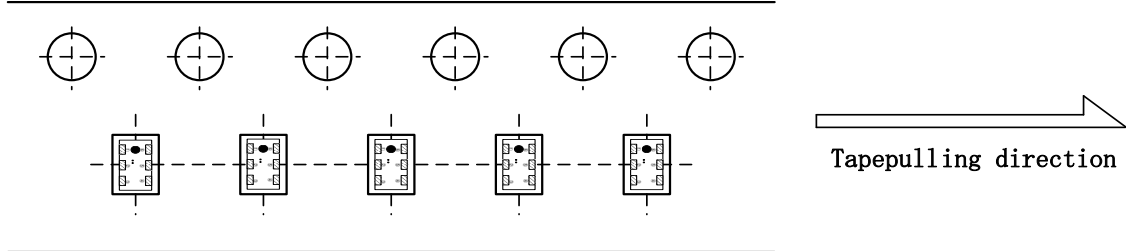


Product Information

Control No. : ARP-4910100-D 4

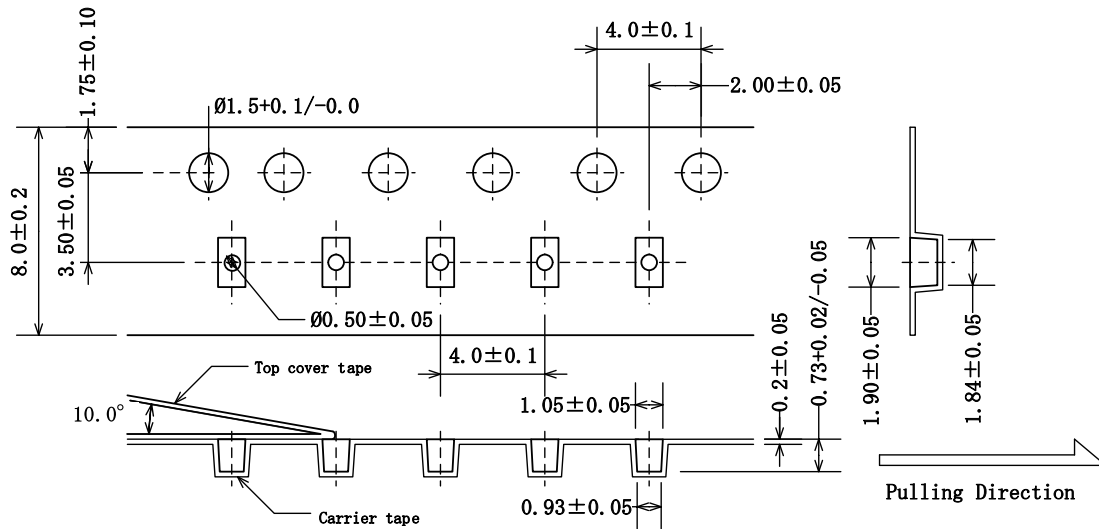
Issued on April 13, 2020

(9) Product orientation must be consistent. Products must not be positioned out of the mounting location.



(10) A taping reel must be sealed in a plastic bag, individually.
(11) Tape-packaged quantity
 The quantity is 3,000 pcs per single tape-package as a rule.

7.2 Dimensions of the carrier tape (Unit : mm)



7.3 Carrier tape reel dimensions (Unit : mm)

