

## RCA5 Series

For addressing RF wave from conductive, emissive noise



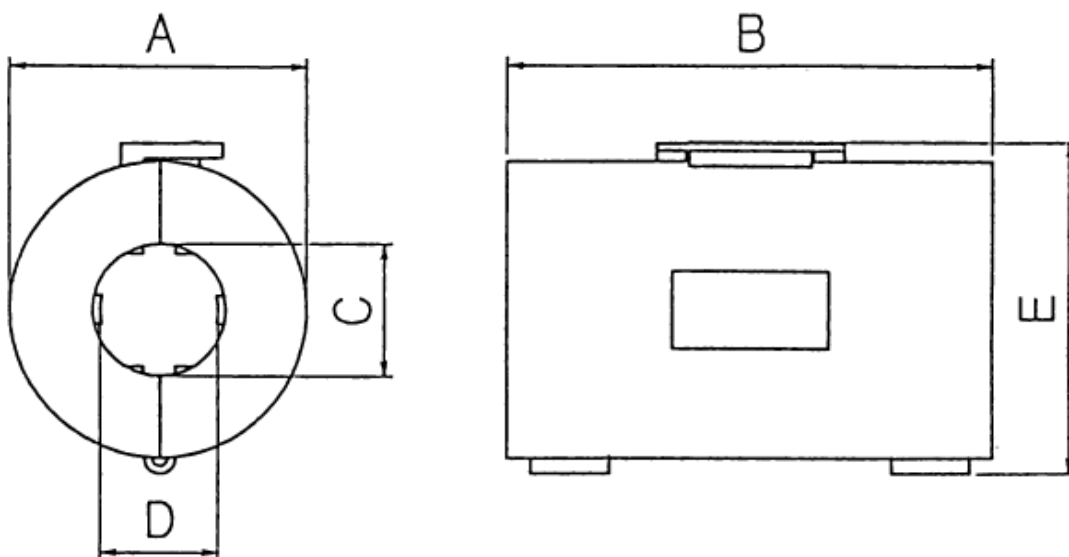
### Applications

Signal line, switching power supply, inverter etc.

### Specifications

Parts No.	Dimension(mm)					Wire Size
	A	B	C	D	E	
RCA5-100	13.2	23	5	4	15.8	dia.4.5
RCA5-135	16.6	31	6	5	19.2	dia5.5
RCA5-165-1	19	31	7	6	12.6	dia.6.5
RCA5-165-2	19	31	8.5	7.5	21.6	dia.8
RCA5-250-1	28	31	10	9	30.6	dia.10
RCA5-250-2	28	31	13.4	12	30.6	dia.13

### Dimensions



## Impedance Characteristics

