

NF3000C-YXZ Series (RoHS Compliant)

3-phase 3-line 500VAC

Space saving Book type
Neutral point earth ground power source



UL1283 (file No.E102708)
EN60939-2 (file No.R50031207)

Applications

Semiconductor equipment, Machine tool, General-purpose inverter and servo,
Power source for CVCF, Power source for Elevator, Factory

Specifications

Part No.	Rated Current	Weight	Dimensions [mm]												
			A	B	C	D	E	F	G	H	J	K	L	M	
NF3010C-YXZ	10A	0.5kg	110	100	50	40	95	M4	M4	M4	R2.25x6	dia.4.5	9	11	fig1
NF3020C-YXZ	20A														
NF3030C-YXZ	30A														
NF3040C-YXZ	40A	0.8kg	128	120	65	55	95	M5	M5	M4	R2.25x6	dia.4.5	13	16	
NF3050C-YXZ	50A														
NF3060C-YXZ	60A														
NF3080C-YXZ	80A	1.6kg	fig2												
NF3100C-YXZ	100A														
NF3125C-YXZ	125A	2.8kg	fig3												
NF3150C-YXZ	150A														
NF3200C-YXZ	200A	6.9kg	fig4												
NF3250C-YXZ	250A	8.1kg													
NF3300C-YXZ	300A														
Rated Voltage	500VAC max														
Leakage Current	100mA max 400VAC 50Hz By UL1283														
Ambient temp.	-20 up to 50 Deg.C														

fig.1 (10~60A)

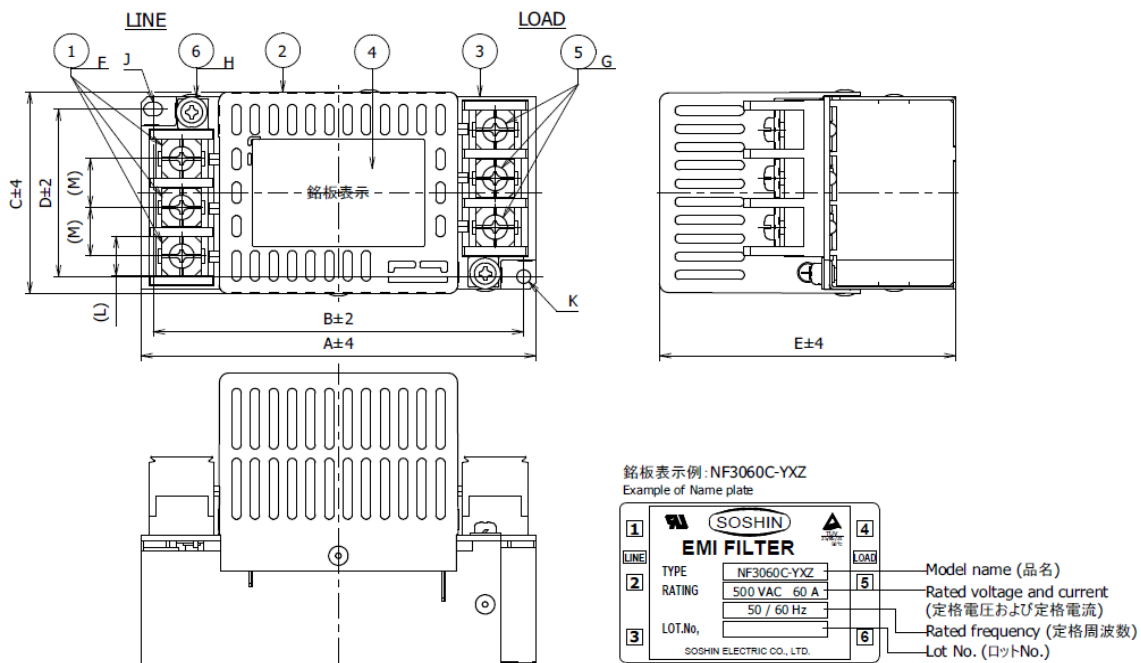


fig.2 (80, 100A)

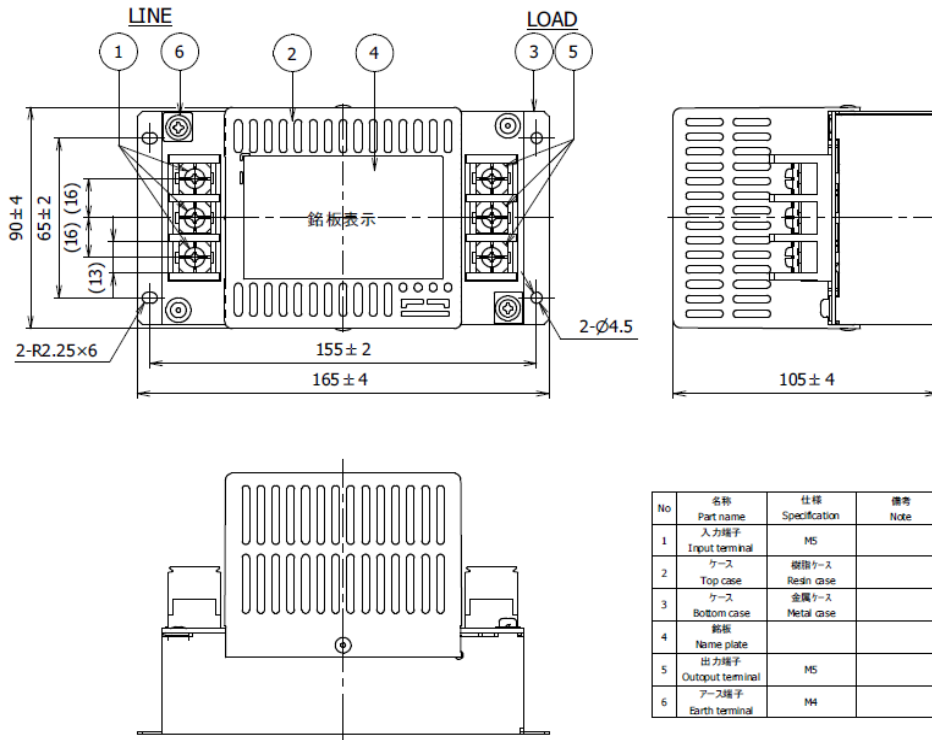


fig. 3 (125, 150)

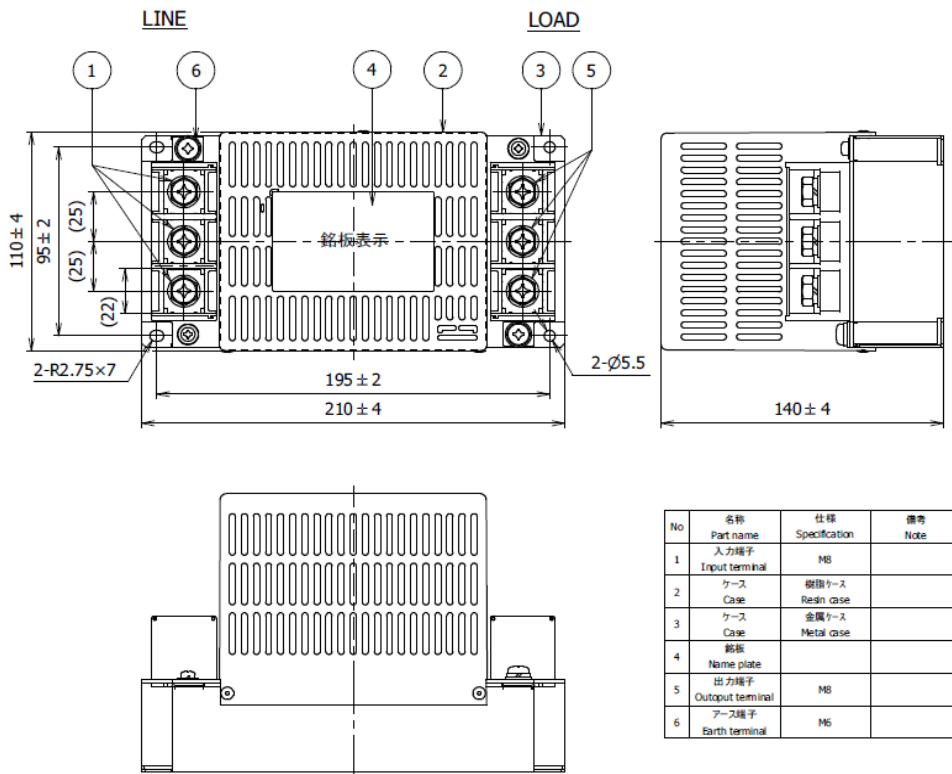
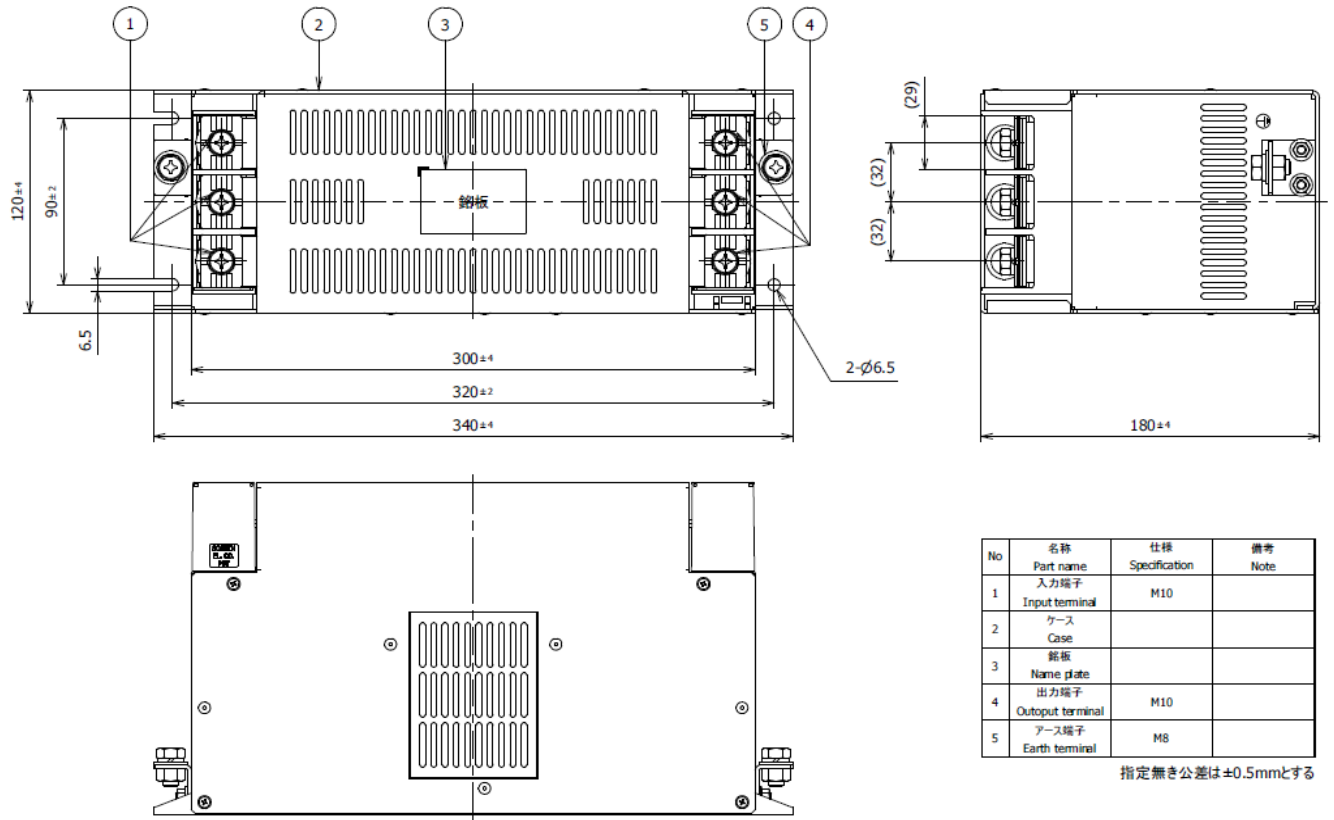
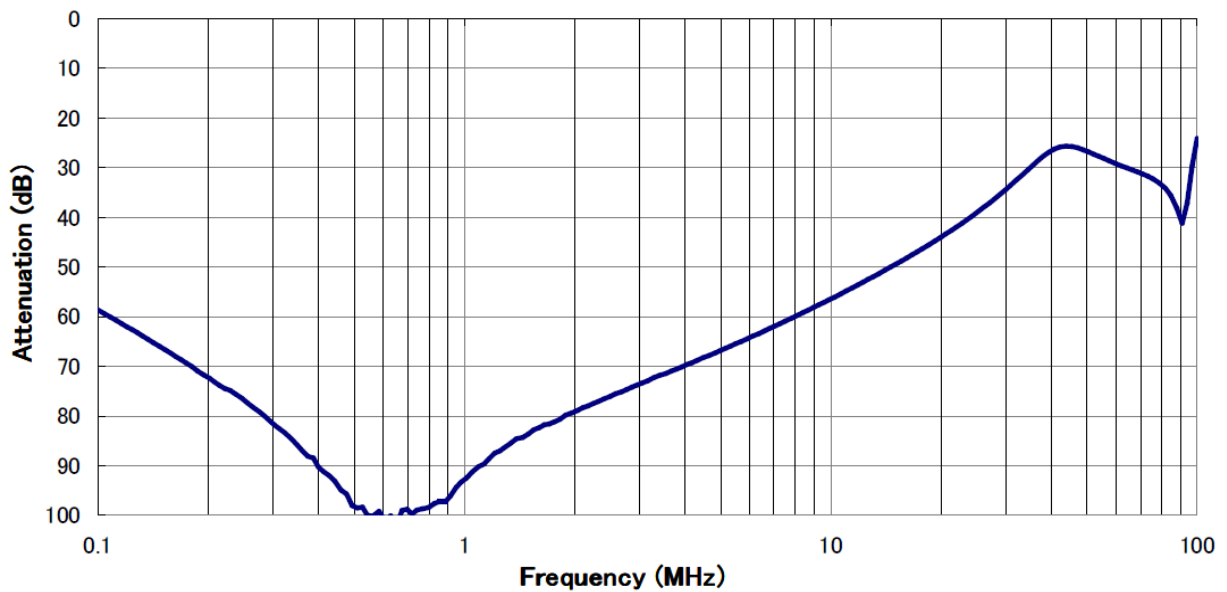


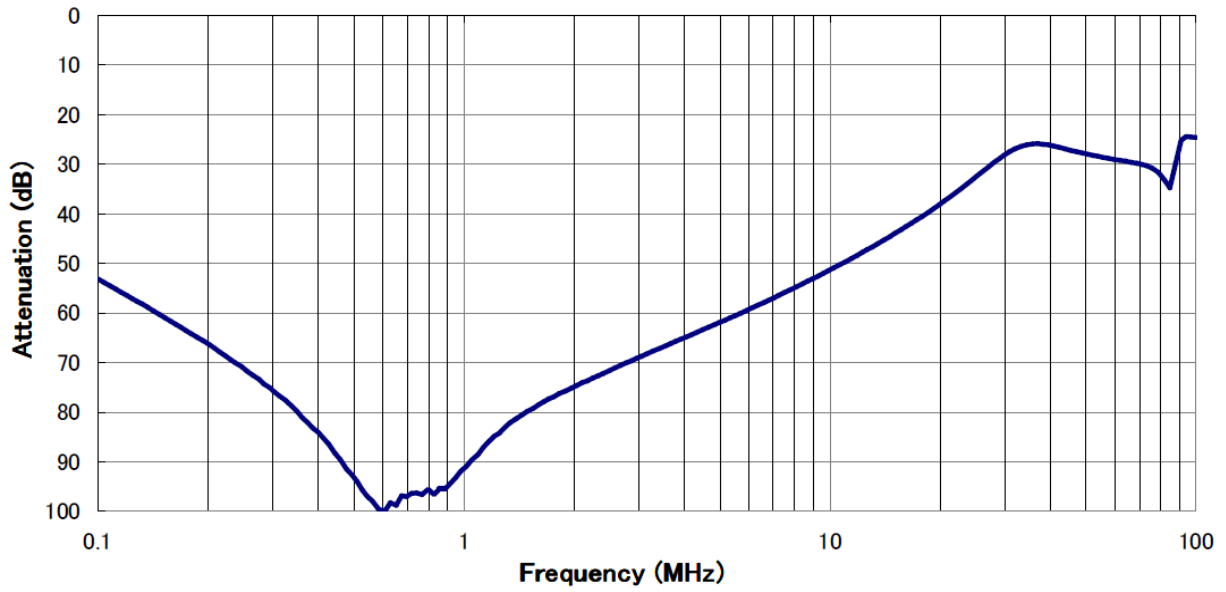
fig. 4 (200~300A)



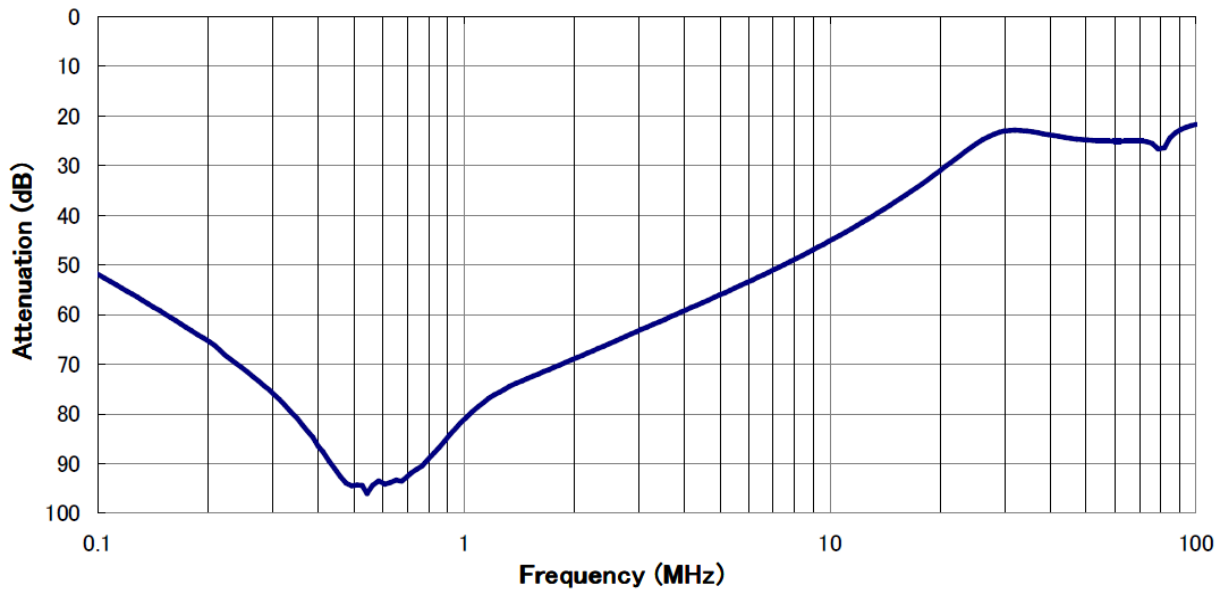
Characteristics (Typical) (10, 20, 30A)



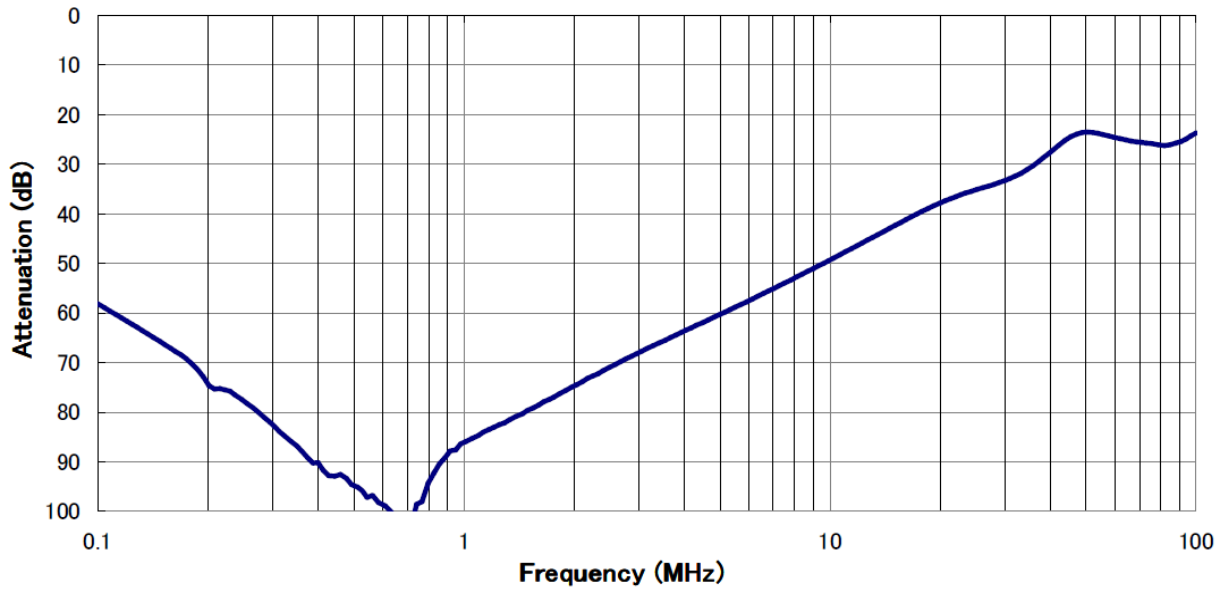
Characteristics (Typical) (40, 50, 60A)



Characteristics (Typical) (80, 100A)



Characteristics (Typical) (125, 150A)



Circuit Diagram

