

RC5000 Series

Ferrite core with metal fitting for installation



Applications

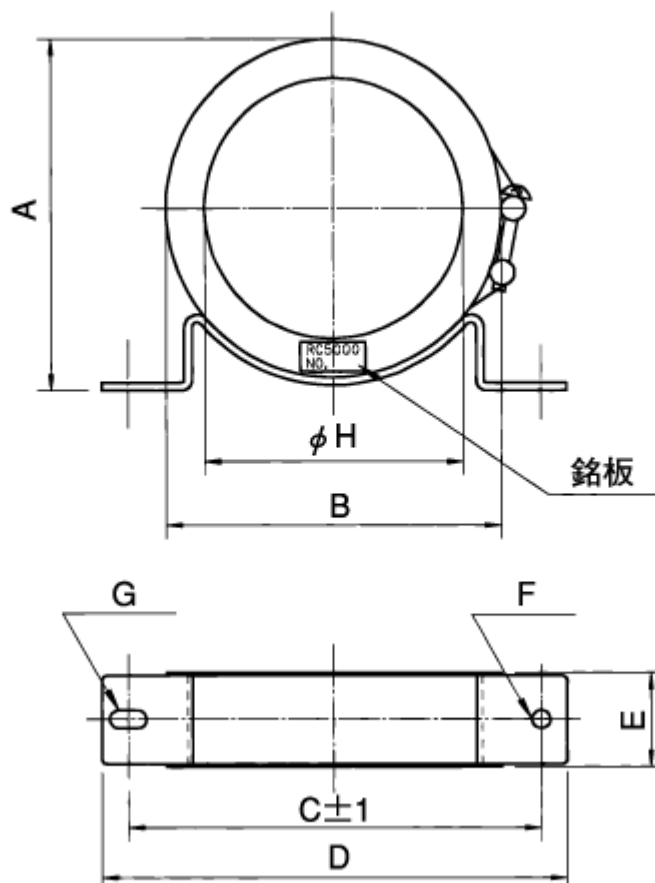
Signal line, switching power supply, inverter etc.

Specifications

Measurement temperature 23+/-2Deg.C										
Type	100KHz(uH)	500KHz(uH)	Dimension(mm)							
			A	B	C	D	E	F	G	H
RC5047	6.86-10.94	>=3.11	54	49	75	90	16	dia.5	R2.5 L10	dia.25
RC5060	6.02-9.60	>=1.50	67	62	95	115	19	dia.5	R2.5 L10	dia.38
RC5078	7.53-11.30	>=1.30	85	80	130	150	23	dia.7	R3.5 L14	dia.48
RC5096	4.71-7.07	>=1.30	103	98	140	160	25	dia.7	R3.5 L14	dia.72
RC5128	>=5.20	>=1.30	138	130	160	180	34	dia.7	R3.5 L14	dia.99
RC5200	>=7.70	-	220	-	220	241	48	R3.5 L15	R3.5 L15	dia.148

Note: Mesured by YHP manufactured multi-frequency LCR meter 4284A the equivalent meter.
Condition for the mesurement f=100KHz,500KHz 1T 10mA through.

Dimensions



Characteristics (Typical)

