

# Product Information

Control No. : ARP-484500-E 1

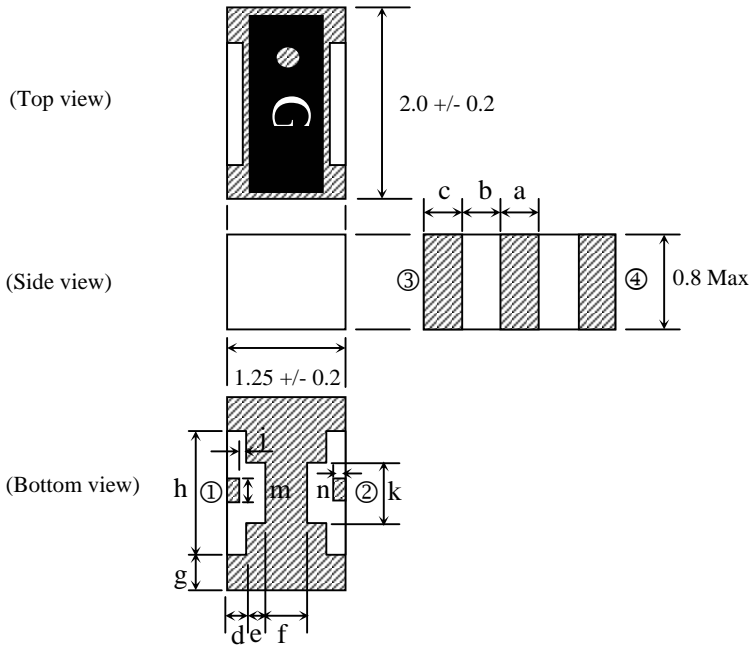
Issued on April 14, 2009

## Application : 2.45GHz BPF for Bluetooth & Wireless LAN

1. Type No.  
HMD845H - T

RoHS Compliant Parts & Lead Free

2. Dimension (Unit : mm)



Terminal	
①	Input
②	Output
③	GND
④	GND

Terminal Dimension	
a	0.400+/-0.200
b	0.400+/-0.200
c	0.400+/-0.200
d	0.175+/-0.150
e	0.225+/-0.150
f	0.450+/-0.150
g	0.400+/-0.200
h	1.200+/-0.150
i	0.025+/-0.150
k	0.800+/-0.150
m	0.300+/-0.150
n	0.150Typ.

3. Electrical characteristics

Pass band	Specification	Typical	Unit	Remark
fc (Center frequency)	2450	-	MHz	
Pass band frequency	2400-2500	-	MHz	
Nominal impedance	50	-	ohm	
Insertion Loss at 25degC.	2.5 Max.	2.11	dB	
Insertion Loss at -40 to +85degC.	2.8 Max.	-	dB	
VSWR in BW	2.0 Max.	1.33	-	
Ripple	1.0 Max.	0.15	dB	

Attenuation	Specification	Typical	Unit	Remark
880 MHz - 960 MHz	40 Min.	44.73	dB	
1710 MHz - 1990 MHz	40 Min.	43.55	dB	
2110 MHz - 2170 MHz	20 Min.	28.47	dB	
4800 MHz - 5000 MHz	30 Min.	42.73	dB	2*f
7200 MHz - 7500 MHz	30 Min.	44.66	dB	3*f

4. Note

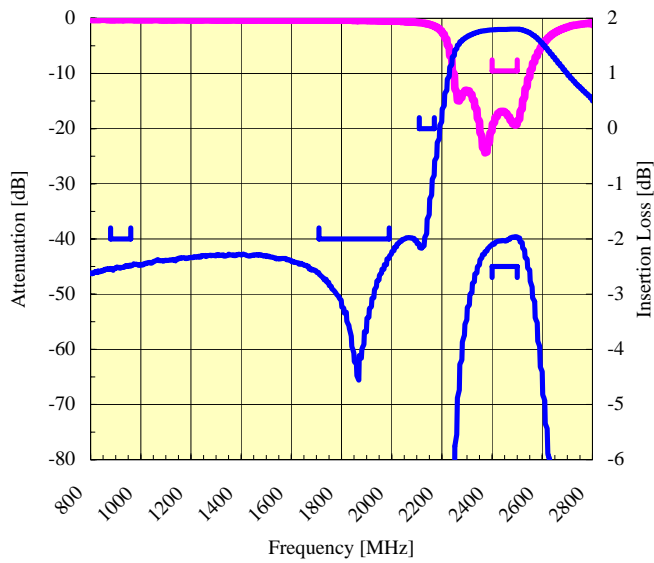
- |  |                                 |
|--|---------------------------------|
| 4.1 Operating Temperature Range                                  | : -40 to +85 deg.C              |
| 4.2 Storage Temperature Range before soldering in taping package | : -20 to +35 deg.C              |
| 4.3 Minimum Ordering Quantity                                    | : 2,000 pcs (per reel, per bag) |

Approved by	Confirmed by	Raised by
T.Hirai	T.Haketa	M.Urano

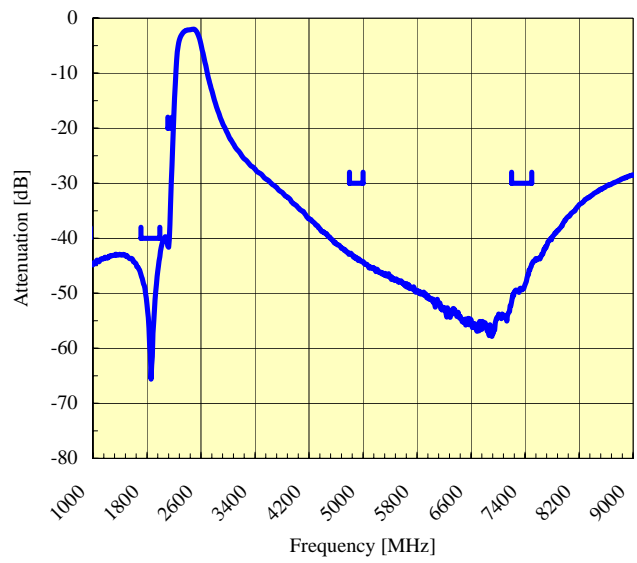
SOSHIN ELECTRIC CO., LTD

## 5.Representative characteristics

Pass Band Frequency Response

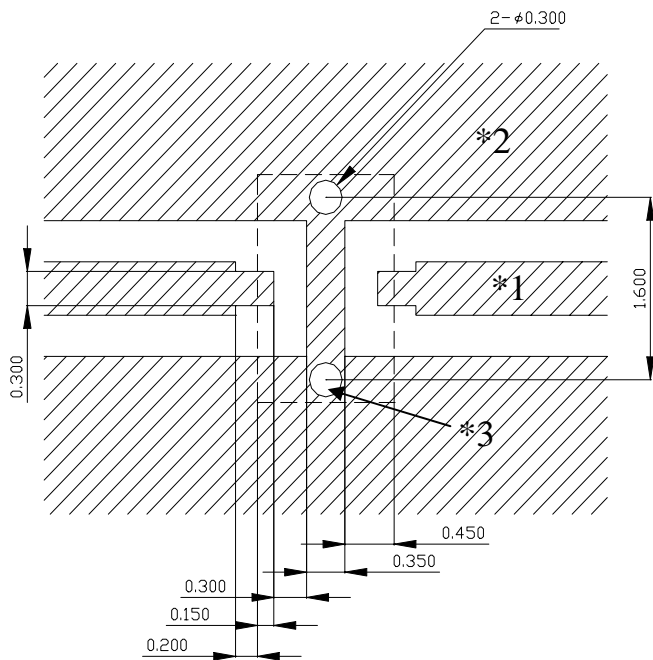


Broad Band Frequency Response

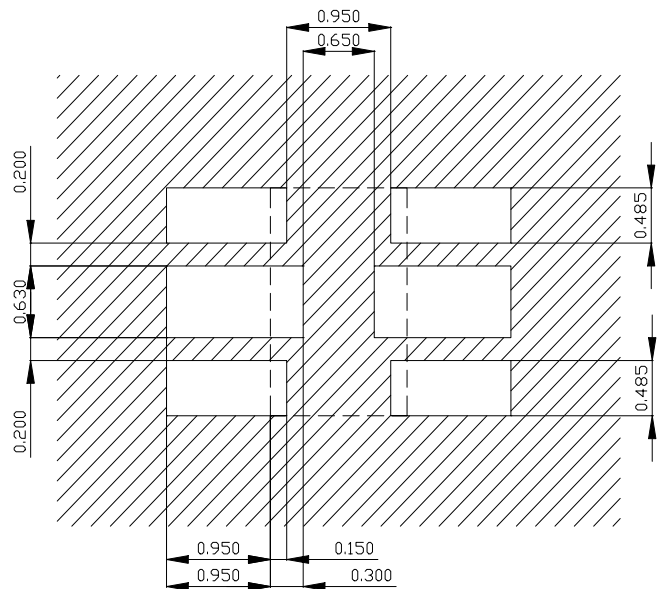


## 6.Recommendation Land Pattern (Unit:mm)

**\*Land Pattern**



**\*Resist Pattern**



- \*1 50 ohm impedance Line
- \*2 Ground Plane
- \*3 Through hole