

Product Information

Control No. : ARP-4616100-J 1

Issued on January 25, 2022

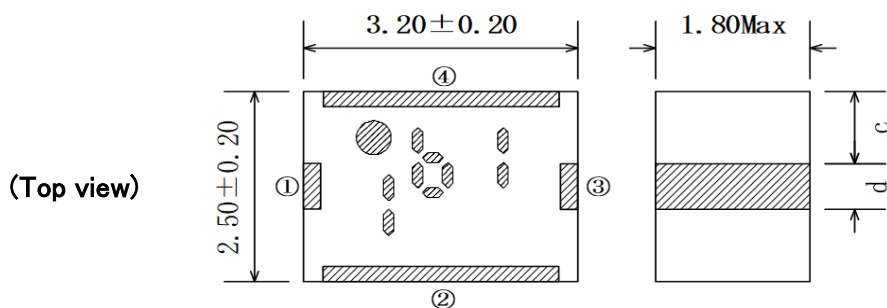
Application : Wi-Fi 6E

Measured Data

1. Type No.
HMD6161L - T

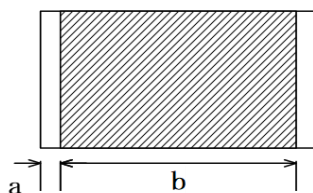
RoHS Compliant Part

2. Dimension (Unit : mm)



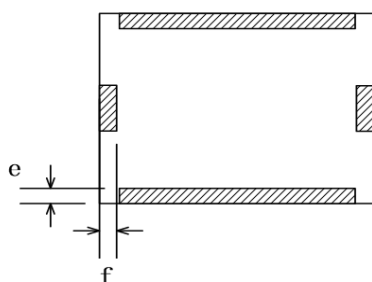
Terminal	
①	Input
②	GND
③	Output
④	GND

(Side view)



Terminal Dimensions	
a	0.225Typ.
b	2.75 ± 0.20
c	0.95Typ.
d	0.60 ± 0.10
e	0.20Typ.
f	0.20Typ.

(Bottom view)



3. Electrical characteristics

Pass band	Target spec. at 25°C	Measured	Unit	Remark
Nominal impedance	50	-	ohm	
Pass band frequency	6095-7125	-	MHz	
Insertion Loss	2.50 Max.	1.33	dB	
Ripple	2.00 Max.	1.13	dB	
V.S.W.R. in pass band	2.00 Max.	1.56	-	

Attenuation	Target spec. at 25°C	Measured	Unit	Remark
2400 MHz - 2500 MHz	25 Min.	33	dB	
5170 MHz - 5835 MHz	30 Min.	33	dB	
12190 MHz - 14430 MHz	15 Min.	18	dB	

4. Note

- 4.1 Operating Temperature Range : -40 to +85 deg.C
 4.2 Storage Temperature Range before soldering in taping package : -20 to +35 deg.C
 4.3 Standard Reel Quantity : 2000 pcs (per reel, per bag)

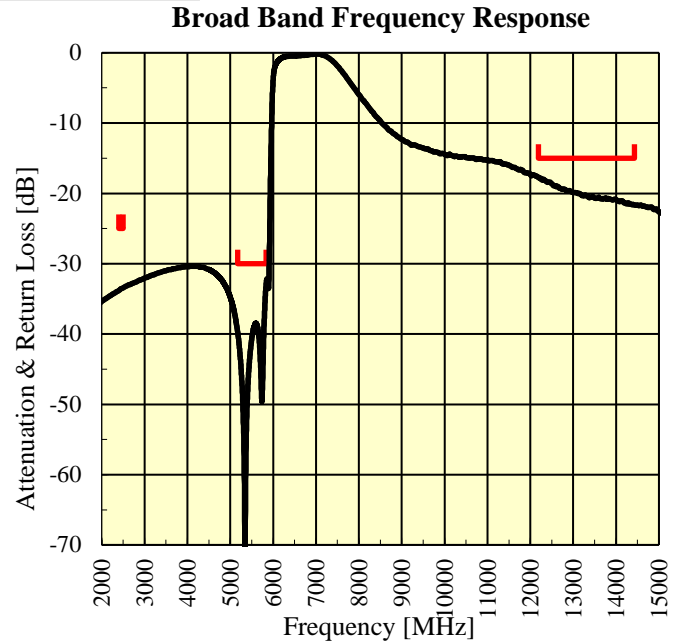
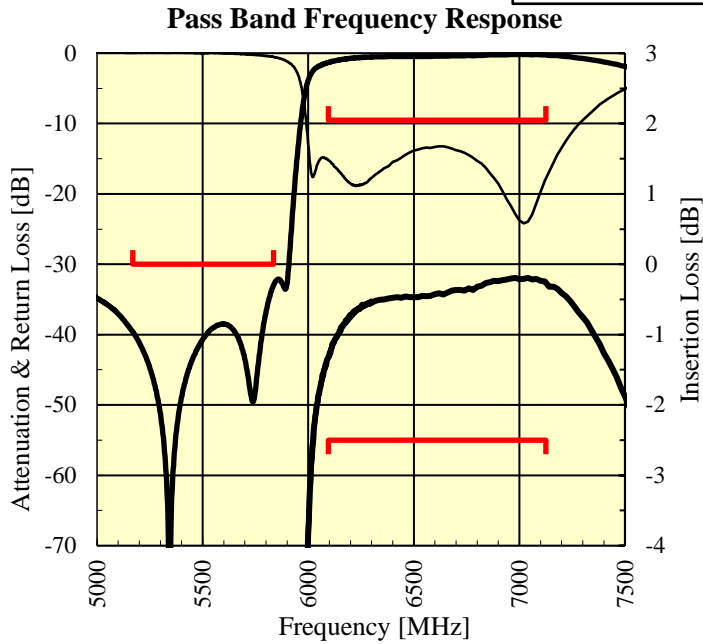
Approved by	Confirmed by	Raised by
Y. Imai	Y. Miyata	S. Suzuki

SOSHIN ELECTRIC CO., LTD

5. Representative characteristics

— Target Specification(*)
— Measured

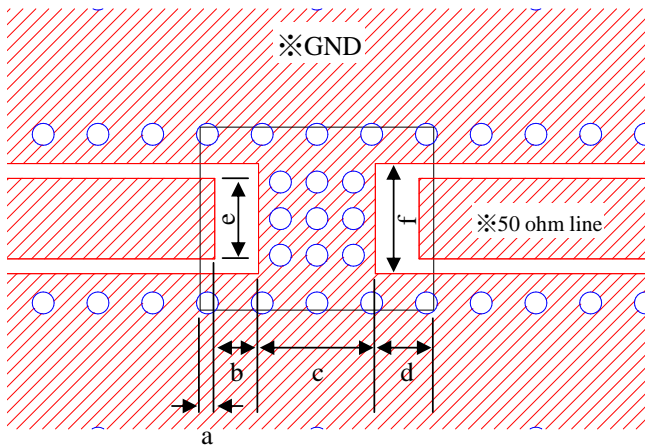
Measured Data



(*) Specification is subject to change.

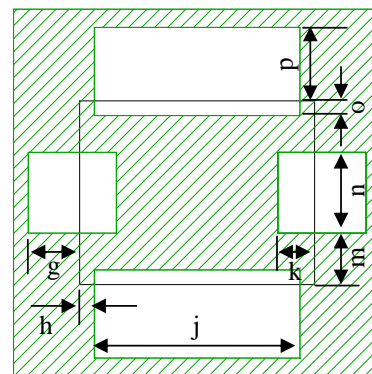
6. Recommended Land Pattern

*Land Pattern



a	0.200 mm	d	0.800 mm
b	0.600 mm	e	1.100 mm
c	1.600 mm	f	1.504 mm

*Resist Pattern



g	0.700 mm	m	0.700 mm
h	0.200 mm	n	1.100 mm
j	2.800 mm	o	0.200 mm
k	0.500 mm	p	1.000 mm