

RC9129ZZ Series

Ferrite core with U-shape metal fitting for installation



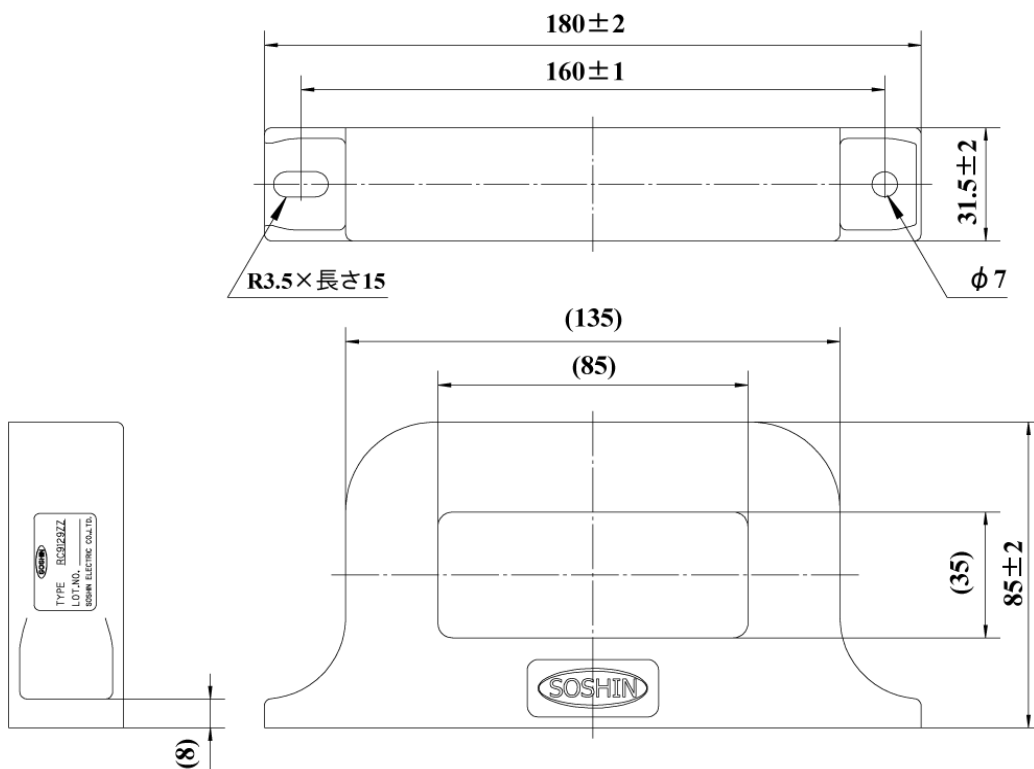
Applications

Signal line, switching power supply, inverter etc

Specifications

Measurement temperature 23+/-2Deg.C	
Type	100KHz(uH)
RC9129ZZ	3.7-8.3
Note: Measured by YHP manufactured multi-frequency LCR meter 4284A or equivalent.	
Condition for the measurement f=100KHz, 1T 10mA through.	

Dimensions



RC9129ZZ(4T)

