

HF3000C-UQC Series (RoHS认证产品)

三相三线式 480VAC

高衰减大电流型(低泄漏电流型)



150A产品 外观



Type Approved
Safety
Regular Production
Surveillance
www.tuv.com
ID 2000000000

UL1283 (file No.E102708)
EN60939-2 (file No.R50031225)

SCCR对应品

- 与断路器组合取得
- 若为Listed认证品, 可使用任何厂家的断路器

用途

IGBT变频器、AC伺服、NC控制器等

规格

Part No.	Rated Current	SCCR value	Weight	Dimensions [mm]											fig1	
				A	B	C	D	E	F	G	H	J	K	L		
HF3010C-UQC	10A	-	2.2kg	186	171	156	136	98	84	73	95	φ4.5×6	M4	M4	fig1	
HF3020C-UQC	20A		2.8kg	236	221	206	184	105	90	76	122	φ5.5×7	M5	M5		
HF3030C-UQC	30A		3.3kg													
HF3040C-UQC	40A		4.0kg	256	241	226	204	115	100	86	127					
HF3050C-UQC	50A		4.5kg													
HF3060C-UQC	60A		9.0kg	参照fig2												
HF3080C-UQC	80A	30kA	11.0kg	参照fig3												
HF3100C-UQC	100A		14.0kg	参照fig4												
HF3150C-UQC	150A		20.0kg	参照fig5												
HF3200C-UQC	200A	42kA	21.0kg	参照fig4												
HF3250C-UQC	250A		22.0kg	参照fig5												
HF3300C-UQC	300A		33.0kg	参照fig5												
HF3400C-UQC	400A		33.0kg	参照fig5												
Rated Voltage	480VAC max															
Leakage Current	10mA max / 400VAC 50Hz By UL1283															
Ambient temp.	-20 up to 50 Deg.C															

fig.1 (10-60A)

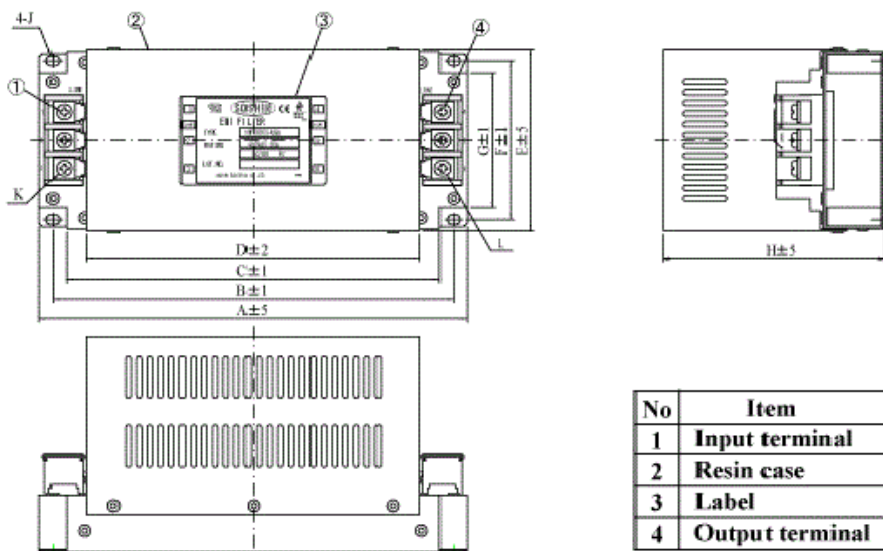


fig.2 (80, 100A)

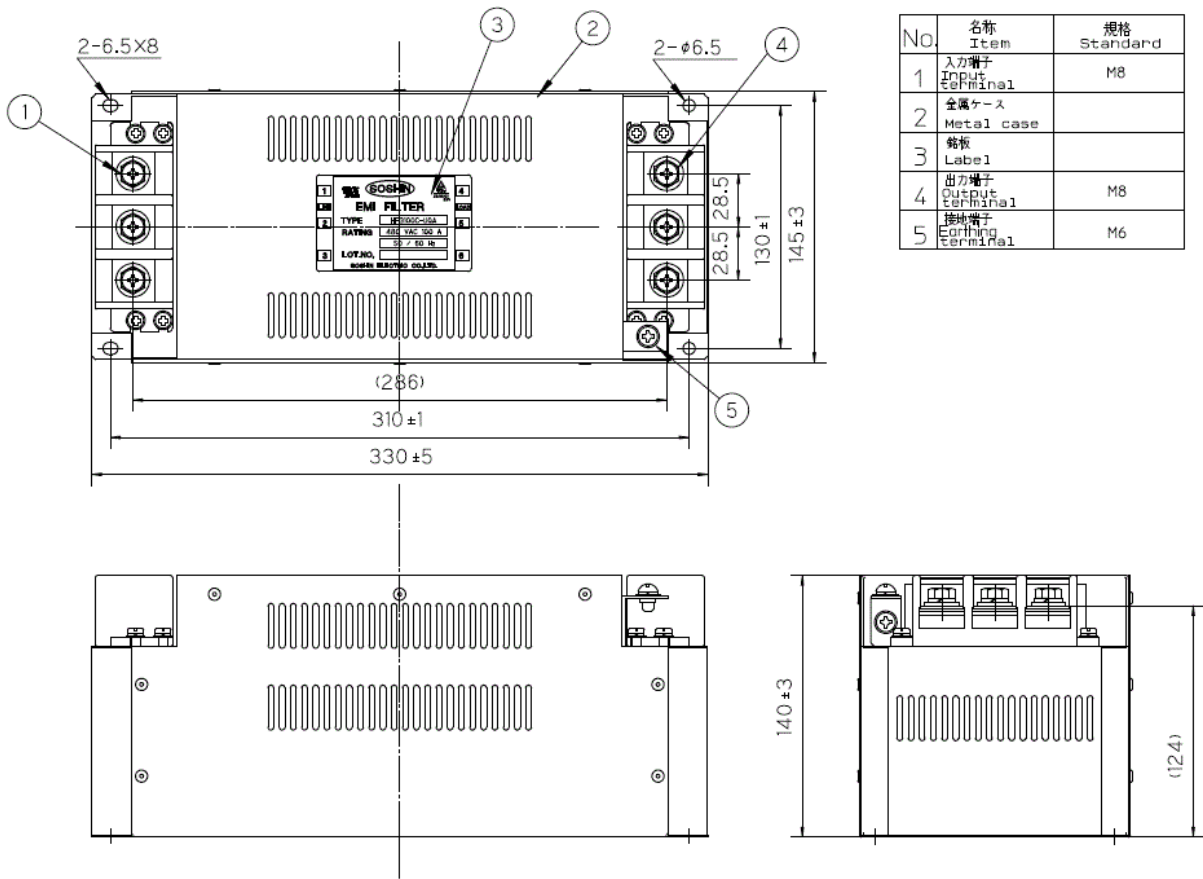


fig. 3 (150A)

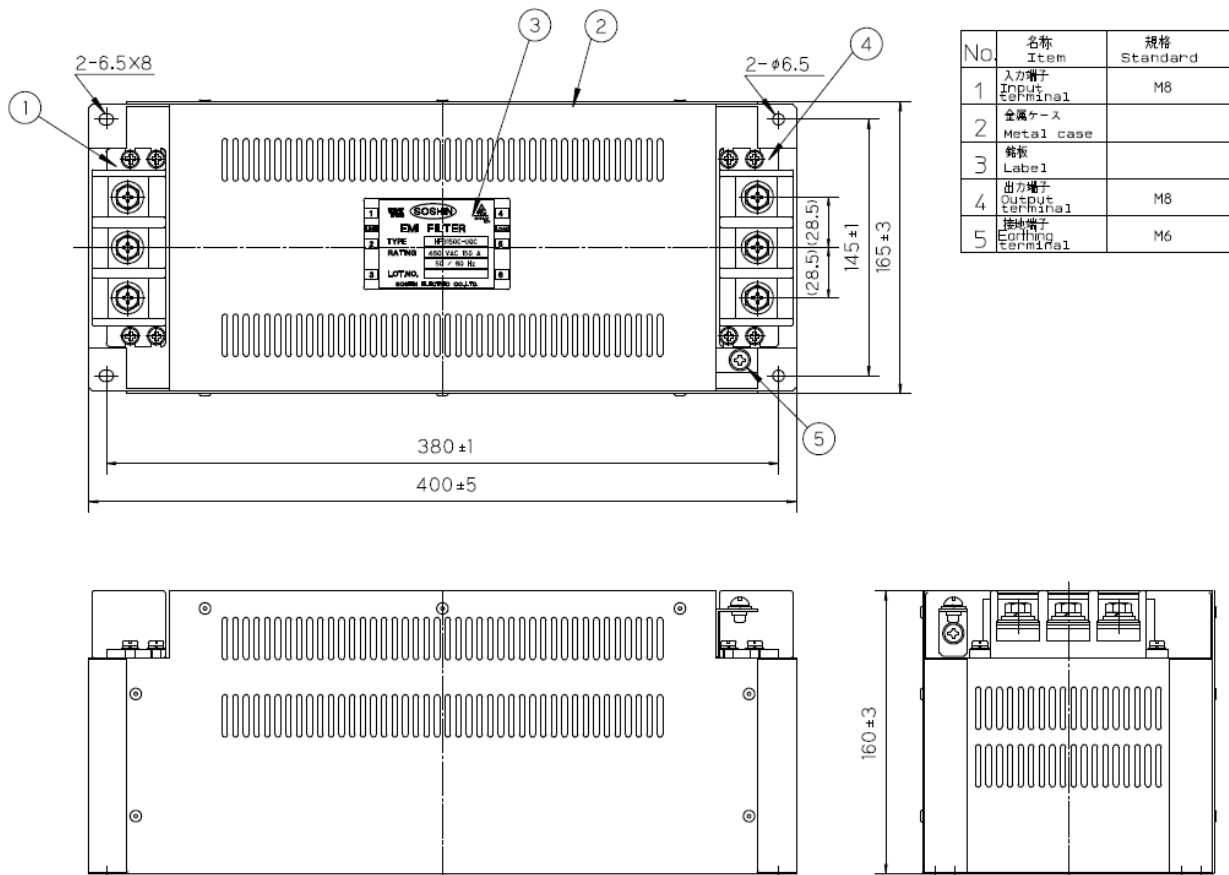
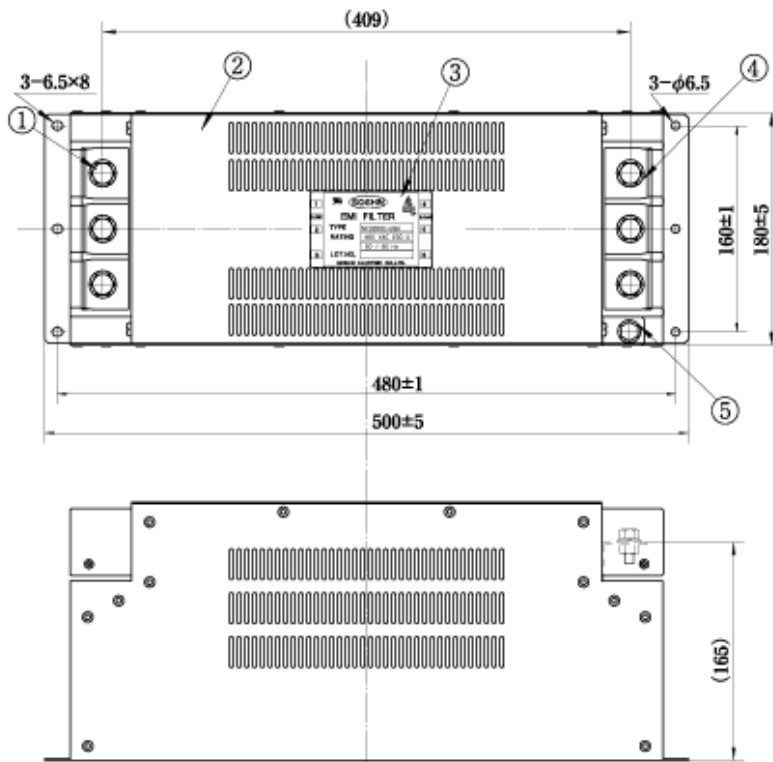


fig. 4 (200, 250, 300A)



No	Item	Notes
①	Input terminal	M10
②	Metal case	
③	Label	
④	Output terminal	M10
⑤	Earthing terminal	M8

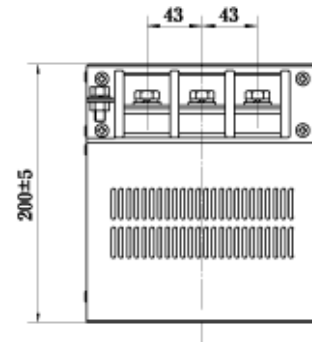
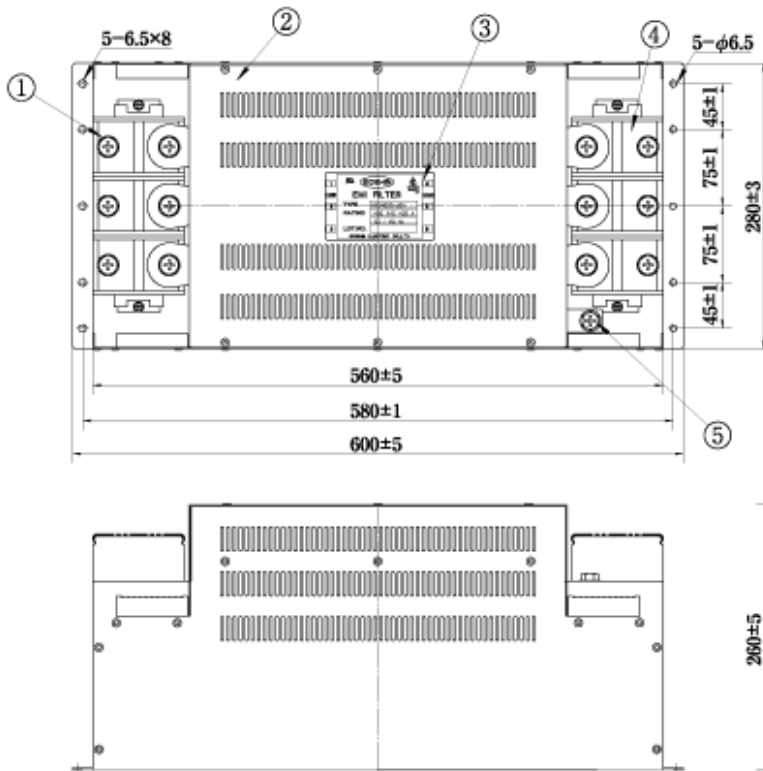
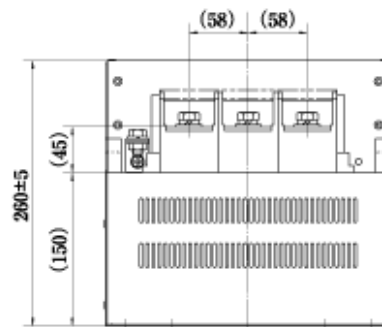


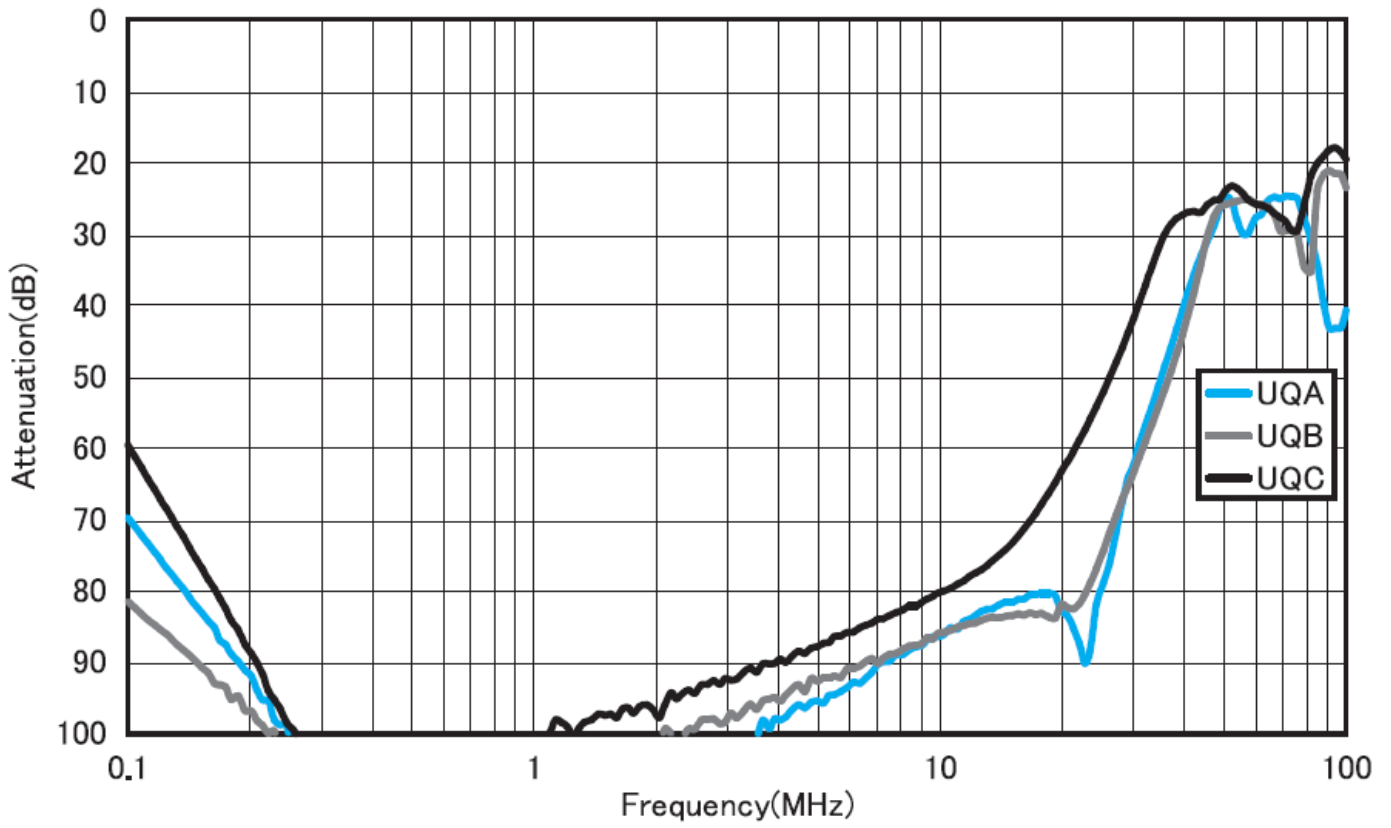
fig. 5 (400A)



No	Item	Notes
①	Input terminal	M12
②	Metal case	
③	Label	
④	Output terminal	M12
⑤	Earthing terminal	M10



衰减特性



电路图

