

# Product Informarion

Control No. : ARP-472600-E 1

Issued on December 24, 2009

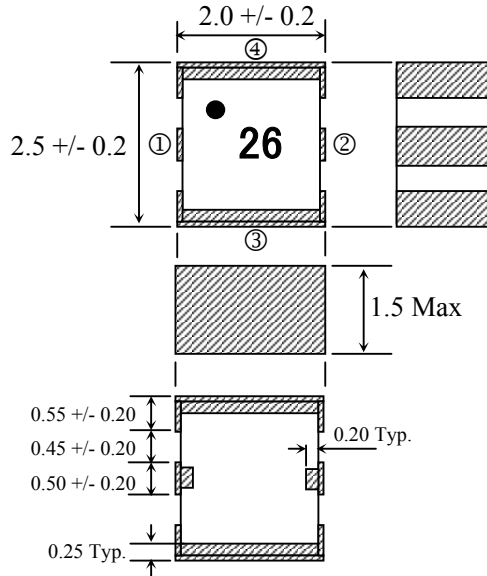
## Application : 1.472GHz BPF for DAB

### 1. Type No.

MDR726G-T

RoHS Compliant Parts & Lead Free

### 2. Dimension (Unit : mm)



Terminal	
①	Input
②	Output
③	GND
④	GND

### 3. Electrical characteristics

Pass band	Specification	Typical	Unit	Remark
fc (Center frequency)	1472	-	MHz	
Pass band frequency	1452-1492	-	MHz	
Nominal impedance	50	-	ohm	
Insertion Loss at 25degC.	1.2 Max.	0.94	dB	
Insertion Loss at -40 to +85degC.	1.4 Max.	-	dB	
VSWR in BW	2.0 Max.	1.26	-	
Ripple	0.5 Max.	0.03	dB	

Attenuation	Specification	Typical	Unit	Remark
87.5 MHz - 108 MHz	40 Min.	54.1	dB	
174 MHz - 240 MHz	40 Min.	49.2	dB	
1050 MHz	30 Min.	34.9	dB	
2400 MHz - 2500 MHz	20 Min.	27.6	dB	
2904 MHz - 2984 MHz	30 Min.	34.4	dB	2*f
4356 MHz - 4476 MHz	30 Min.	55.3	dB	3*f

### 4. Note

- 4.1 Operating Temperature Range : -40 to +85 deg.C
- 4.2 Storage Temperature Range before soldering in taping package : -20 to +35 deg.C
- 4.3 Minimum Ordering Quantity : 2,000 pcs (per reel, per bag)

Approved by	Confirmed by	Raised by
T.Hirai	M.Urano	Y.Tamura

SOSHIN ELECTRIC CO., LTD

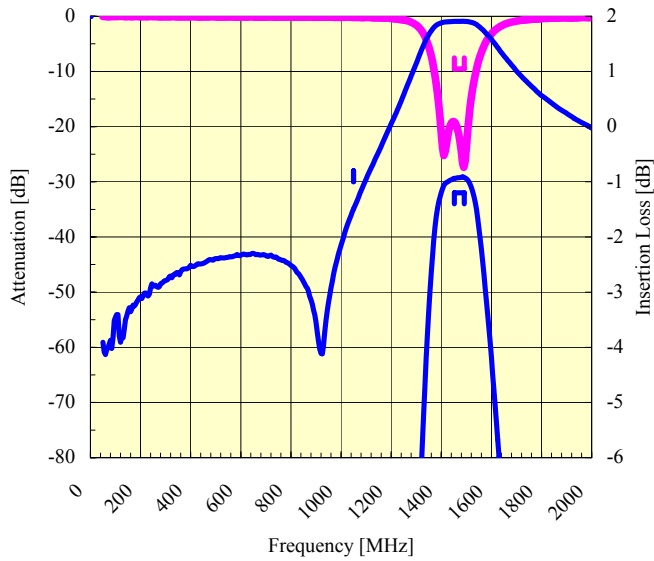
# Product Information

Control No. : ARP-472600-E2

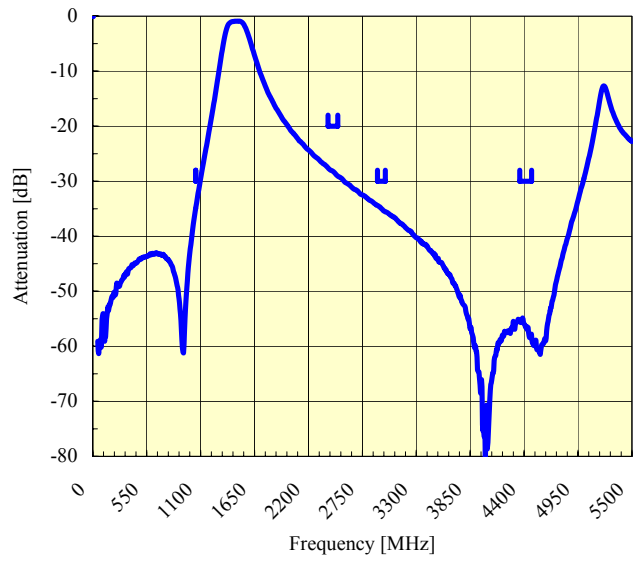
Issued on December 24, 2009

## 5.Representative characteristics

### Pass Band Frequency Response

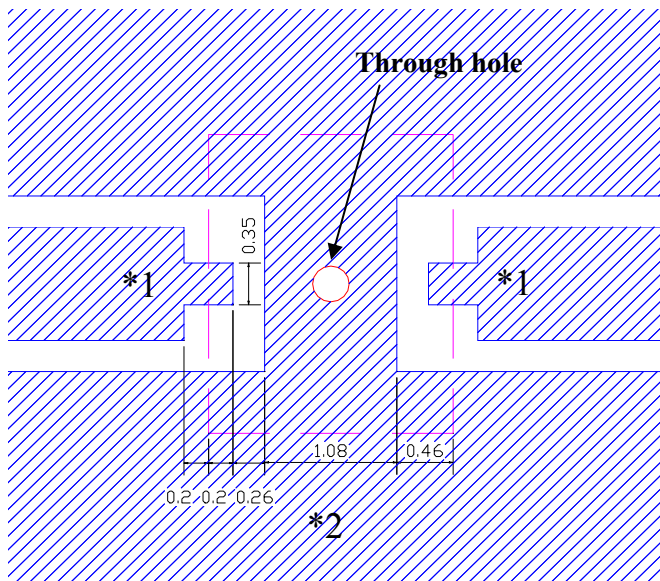


### Broad Band Frequency Response

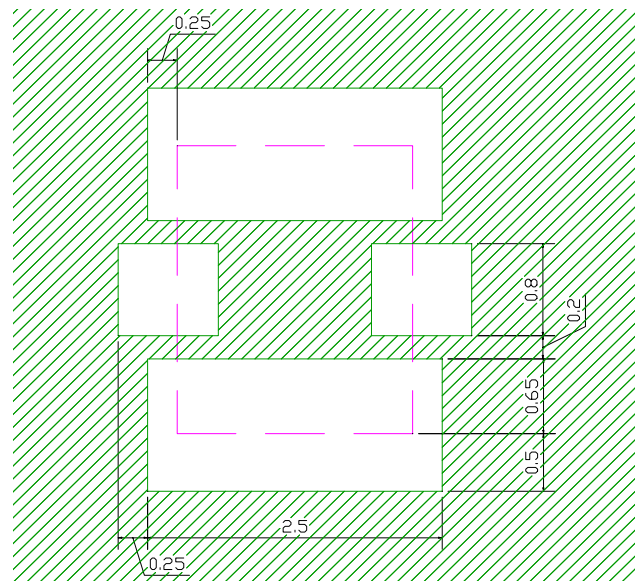


## 6.Recommendation Land Pattern (Unit:mm)

### \*Land Pattern



### \*Resist Pattern



\*1 50 ohm Impedance Line

\*2 Ground Plane